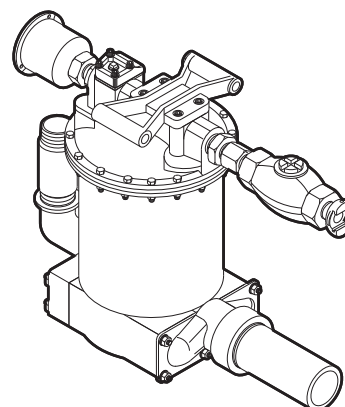


# Safety and operating instructions

## Sludge pumps CP 0077

- Ⓕ Prescriptions de sécurité et instructions pour l'opérateur  
Pompe à boue
- Ⓓ Sicherheits- und Betriebsanleitung  
Schlammpumpe
- Ⓔ Instrucciones de seguridad y de funcionamiento  
Bomba para lodos
- Ⓗ Instruções de segurança e operação  
Bomba de Lamas
- Ⓘ Istruzioni per la sicurezza e per l'uso  
Pompa per acque luride
- ⒲ Instrukcje bezpieczeństwa i obsługi  
Pompa eźektorowa





# Contents

<b>ENGLISH</b> .....	4
<b>FRANÇAIS</b> .....	16
<b>DEUTSCH</b> .....	30
<b>ESPAÑOL</b> .....	44
<b>PORTUGUÊS</b> .....	56
<b>ITALIANO</b> .....	70
<b>POLSKI</b> .....	82

**ENGLISH**

**Contents**

**Introduction** ..... 5

**About the Safety and operating instructions** ..... 5

**Safety instructions** ..... 6

    Safety signal words ..... 6

    Personal precautions and qualifications ..... 6

    Installation, precautions ..... 6

    Operation, precautions ..... 7

    Maintenance, precautions ..... 8

    Storage, precautions ..... 8

**Overview** ..... 9

    Design and function ..... 9

    Main parts ..... 9

    Labels ..... 9

**Installation** ..... 10

    Preparation ..... 10

    Fixed installation ..... 10

    Hoses and connections ..... 10

    Methods to prevent freezing ..... 10

    Lubrication ..... 10

**Operation** ..... 11

    Preparations before starting ..... 11

    Start and stop ..... 11

    Operating ..... 12

**Maintenance** ..... 12

    Every day ..... 12

    Periodic maintenance ..... 12

    Tightening torques ..... 13

**Storage** ..... 13

    Preparing the pump for storage ..... 13

**Disposal** ..... 13

**Technical data** ..... 14

    Machine data ..... 14

    Noise declaration statement ..... 14

    Noise data ..... 14

**EC Declaration of Conformity** ..... 15

    EC Declaration of Conformity (EC Directive 2006/42/EC) ..... 15

## Introduction

Thank you for choosing Chicago Pneumatic brand products. For over a century, the Chicago Pneumatic brand has represented performance and innovation in the pneumatic tool industry.

Today the brand is found around the world on a range of pneumatic and hydraulic tools that includes breakers, rock drills, chipping hammers, clay-diggers, picks and busters, scabblers, pumps and a whole lot more.

The Chicago Pneumatic brand is associated with powerful and reliable products that are easy to maintain and that give good value for the money.

For more information please visit [www.cp.com](http://www.cp.com)

Atlas Copco Construction Tools AB  
Box 703  
391 27 Kalmar  
Sweden

## About the Safety and operating instructions

The aim of the instructions is to provide you with knowledge of how to use the pump in an efficient, safe way. The instructions also give you advice and tell you how to perform regular maintenance on the pump.

Before using the pump for the first time you must read these instructions carefully and understand all of them.

## Safety instructions

To reduce the risk of serious injury or death to yourself or others, read and understand the Safety and operating instruction before installing, operating, repairing, maintaining, or changing accessories on the machine.

Post this Safety and operating instruction at work locations, provide copies to employees, and make sure that everyone reads the Safety and operating instruction before operating or servicing the machine.

In addition, the operator or the operator's employer must assess the specific risks that may be present as a result of each use of the machine.

## Safety signal words

The safety signal words Danger, Warning and Caution have the following meanings:

<b>DANGER</b>	Indicates a hazardous situation which, if not avoided, will result in death or serious injury.
<b>WARNING</b>	Indicates a hazardous situation which, if not avoided, could result in death or serious injury.
<b>CAUTION</b>	Indicates a hazardous situation which, if not avoided, could result in minor or moderate injury.

## Personal precautions and qualifications

Only qualified and trained persons may operate or maintain the machine. They must be physically able to handle the bulk, weight, and power of the tool. Always use your common sense and good judgement.

### Personal protective equipment

Always use approved protective equipment. Operators and all other persons in the working area must wear protective equipment, including at a minimum:

- > Protective helmet
- > Hearing protection
- > Impact resistant eye protection with side protection
- > Respiratory protection when appropriate
- > Protective gloves
- > Proper protective boots
- > Appropriate work overall or similar clothing (not loose-fitting) that covers your arms and legs.

### Drugs, alcohol or medication

#### ▲ **WARNING** Drugs, alcohol or medication

Drugs, alcohol or medication may impair your judgment and powers of concentration. Poor reactions and incorrect assessments can lead to severe accidents or death.

- ▶ Never use the machine when you are tired or under the influence of drugs, alcohol or medication.
- ▶ No person who is under the influence of drugs, alcohol or medication may operate the machine.

## Installation, precautions

#### ▲ **DANGER** Whipping air hose

A compressed air hose that comes loose can lash around and cause personal injury or death. To reduce this risk:

- ▶ Check that the compressed air hose and the connections are not damaged, replace if necessary.
- ▶ Check that all compressed air connections are properly attached.
- ▶ Never carry a pneumatic machine by the air hose.
- ▶ Never attempt to disconnect a compressed air hose that is pressurized. First switch off the compressed air at the compressor and then bleed the machine by activating the start and stop device.
- ▶ Do not use quick disconnect couplings at tool inlet. Use hardened steel (or material with comparable shock resistance) threaded hose fittings.
- ▶ Whenever universal twist couplings (claw couplings) are used, we recommend that lock pins are installed and whipcheck safety cables are used to safeguard against possible hose to tool and hose to hose connection failure.
- ▶ Never point a compressed air hose at yourself or anyone else. To avoid the risk of getting injured, never use compressed air to blow for example dust, dirt etc. from your clothes.

**▲ WARNING Whipping discharge hose**

A discharge hose that comes loose can lash around, and the hose or jets of liquid can hit the operator, and cause personal injury or death. To reduce this risk:

- ▶ Always remove kinks, before the pump is started. If the discharge hose is kinked, it can be forced out of the operator's hands.
- ▶ Always make sure that the discharge hose connections are properly attached.
- ▶ Check that the discharge hose and the connections are not damaged, replace if necessary.
- ▶ Always make sure that the outlet end of the discharge hose is properly secured.

**▲ WARNING Fixed installation hazard**

The pump is primarily intended for use in temporary (mobile) applications. If the pump is used in a fixed installation, the connections between pump and pipe can come loose and jets of liquid or other particles can hit the operator, and cause personal injury or death.

- ▶ Always use a flexible hose in connections between pump and pipe.
- ▶ Never hang the pump by its hose.

## **Operation, precautions**

**▲ DANGER Explosion hazard**

If a pump comes into contact with explosives or explosive gases, an explosion could occur. When using certain materials in machine parts, sparks and ignition can occur. Explosions will lead to severe injuries or death.

- ▶ Never operate the machine in any explosive environment.

**▲ WARNING Hot pump**

If hot liquid is being pumped, the pump can become hot. Touching a hot pump can lead to burns and personal injury.

- ▶ Avoid touching the pump if hot liquid is being pumped.

**▲ WARNING Flammable liquid hazard**

If flammable liquid is being pumped, the fumes can explode when ignited. This can lead to personal injury or death.

- ▶ Never pump flammable liquids.

**▲ WARNING Emergency stop hazard**

If an emergency situation occurs while pumping, and the pump is not stopped immediately, personal injury or death can occur.

- ▶ Install an on/off valve on the air supply hose, as close to the pump as possible.
- ▶ Activate the on/off valve if an emergency situation occurs.

**▲ WARNING Level of pumped medium hazard**

If the level of the pumped medium is above the muffler level, the pumped medium will be mixed with the exhaust air and personal injury or death can occur.

- ▶ Never place the pump in such a way that the level of the pumped medium is above the muffler level.

**▲ WARNING Unexpected movements**

When in use, the pump may unexpectedly move. Accessories may break due to fatigue after a certain amount of use. Sudden and unexpected movement can cause injuries. Furthermore, losing your balance or slipping may cause injury.

- ▶ Pay attention not to lose your balance when submerging or taking the pump out of the liquid, use a proper lifting device.
- ▶ Always inspect the equipment prior to use. Never use the equipment if you suspect that it is damaged.
- ▶ Make sure that the pump and its accessories are clean and free of grease and oil.
- ▶ Moving parts may crush and cut, never check bores or passages with hands or fingers.
- ▶ Never strike or abuse the equipment.
- ▶ Check regularly for wear on the accessories, and check whether there are any signs of damage or visible cracks.
- ▶ Pay attention and look at what you are doing.

**▲ WARNING Projectiles**

During operating, particles or jets of liquid may become projectiles and cause personal injury by striking the operator or other persons. To reduce these risk:

- ▶ Use approved personal protective equipment and safety helmet, including impact resistant eye protection with side protection.
- ▶ Make sure that no unauthorised persons trespass into the working zone.
- ▶ Keep the workplace free from foreign objects.

- ▶ Jets of liquid from the discharge hose could contain solids travelling at a great speed. Do not direct the liquid jets towards other personnel.

### **▲ WARNING**    **Slipping, tripping and falling hazards**

There is a risk of slipping or tripping or falling, for example tripping on the hoses or on other objects. Slipping or tripping or falling can cause injury. To reduce this risk:

- ▶ Always make sure that no hose or other object is in your way or in any other person's way.
- ▶ Always make sure you are in a stable position with your feet as far apart as your shoulders width and keeping a balanced body weight.

### **▲ DANGER**    **Electrical hazard**

The machine is not electrically insulated. If the machine comes into contact with electricity, serious injuries or death may result.

- ▶ Never operate the machine near any electric wire or other source of electricity.
- ▶ Make sure that there are no concealed wires or other sources of electricity in the working area.

### **▲ WARNING**    **Involuntary start**

Involuntary start of the machine may cause injury.

- ▶ Keep your hands away from the start and stop device until you are ready to start the machine.
- ▶ Learn how the machine is switched off in the event of an emergency.
- ▶ Stop the machine immediately in all cases of power supply interruption.

### **▲ WARNING**    **Noise hazard**

High noise levels can cause permanent and disabling hearing loss and other problems such as tinnitus (ringing, buzzing, whistling, or humming in the ears). To reduce risks and prevent an unnecessary increase in noise levels:

- ▶ Risk assessment of these hazards and implementation of appropriate controls is essential.
- ▶ Operate and maintain the machine as recommended in these instructions.
- ▶ Always use hearing protection.

## **Maintenance, precautions**

---

### **▲ WARNING**    **Machine modification**

Any machine modification may result in bodily injuries to yourself or others.

- ▶ Never modify the machine. Modified machines are not covered by warranty or product liability.
- ▶ Always use original parts and accessories.
- ▶ Change damaged parts immediately.
- ▶ Replace worn components in good time.

## **Storage, precautions**

---

- ◆ Keep the machine and tools in a safe place, out of the reach of children and locked up.



# Overview

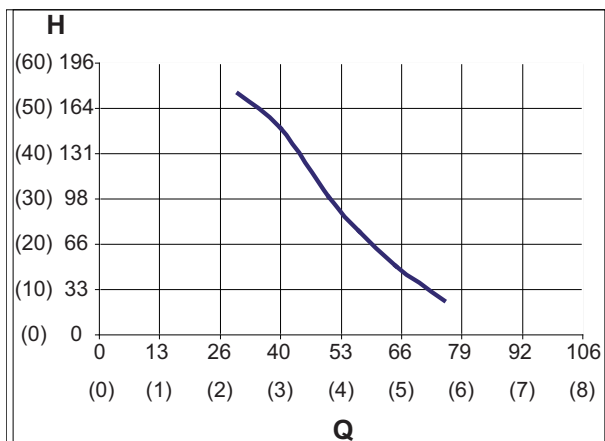
To reduce the risk of serious injury or death to yourself or others, read the Safety instructions section found on the previous pages of this manual before operating the machine.

## Design and function

CP 0077 sludge pump is intended for removing water from trenches, ditches, and manholes. It can also be used as an industrial pump at excavations, wet drilling applications containing rock fragments, pumping sea water, and for certain corrosive chemicals. It is not recommended to pump any liquid with a temperature above 212°F (100°C). No other use is permitted. CP 0077 is adapted to meet different demands in respect of flow(Q) and pressure head(H) (see diagram below).

CP 0077 pump is not fully submersible, which means that it can not be submersed into the pumped medium, below muffler level. CP 0077 can easily handle water containing solids of up to 15% of the total mass. It can also easily handle solid particles up to 1" (25 mm) in size without causing any blockage. CP 0077 pump is self priming.

The diagram is valid at 6 bar (87 psi) and when pumping from base plate level. Use of a suction hose will decrease possible head.

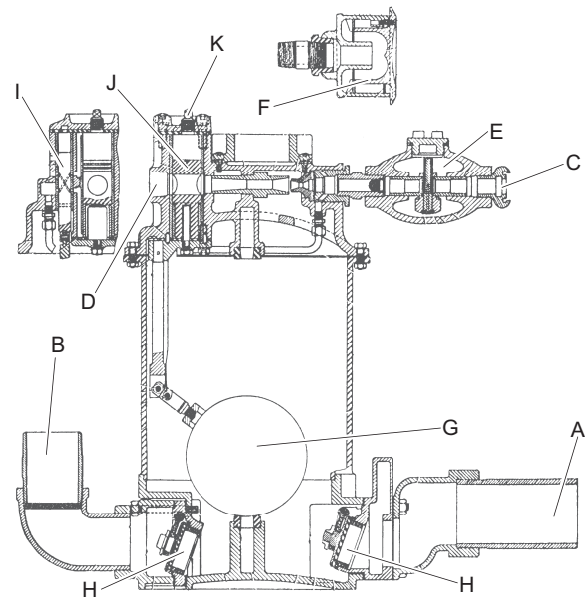


H: Head feet (m)

Q: Flow imp gal/min (l/s)

**NOTICE** The capacity of the pump will change and the chart above will not be accurate if a suction hose is used, if a lower air pressure than the recommended is used, or if the pumped liquid has a different viscosity than water.

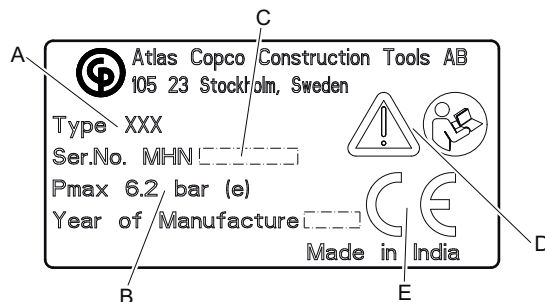
# Main parts



- A. Liquid intake
- B. Discharge outlet
- C. Air inlet
- D. Air outlet
- E. Oiler
- F. Muffler
- G. Float
- H. Check valve
- I. Control valve
- J. Ejector valve
- K. Ejector valve plug

# Labels

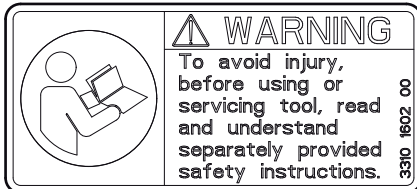
## Data plate



- A. Machine type
- B. Maximum permitted compressed air pressure
- C. Serial number

- D. The warning symbol together with the book symbol means that the user must read the safety and operating instructions before the machine is used for the first time.
- E. The CE symbol means that the machine is EC-approved. See the EC declaration which is delivered with the machine for more information. If the CE symbol is missing, it means that the machine is not EC-approved.

### Safety label



To avoid injury, before using or servicing tool, read and understand separately provided safety instructions.

## Installation

### Preparation

Always make sure that the pump stands stable on a level surface.

Depending on the conditions at the worksite, the pump can be installed in different ways.

If a suction hose is connected to the liquid intake:

- ◆ The pump does not need to be partially submersed into the pumped medium.
- ◆ Check that the open end of the suction hose is completely submersed.
- ◆ The use of a suction hose can affect the pressure head negatively.

If a suction hose is not used:

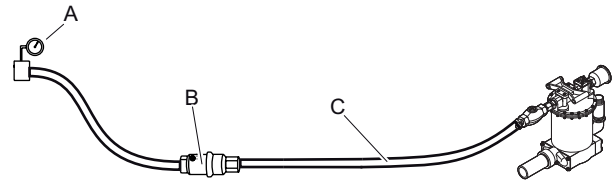
- ◆ Check that the liquid intake of the pump is fully submersed into the pumped medium.

**NOTICE** Never submerge the pump below muffler level, into the pumped medium. When pumping from a tank or dam, never let the muffler level be below the liquid level in the tank or dam.

### Fixed installation

The pump is primarily intended for use in temporary (mobile) applications. If the pump is used in a fixed installation, make sure that the connections between pump and pipe are made with a flexible hose.

## Hoses and connections



- A. Compressed air source
  - B. Water separator (optional)
  - C. Max. 10 feet (3 meter) compressed air hose between the water separator and the machine.
- ◆ Check that you are using the correct recommended operating pressure, 87 psig (6 bar).
  - ◆ The maximum permissible air pressure, 90 psig (6,2 bar), must not be exceeded.
  - ◆ Blow any impurities out of the compressed air hose before connecting it to the machine.
  - ◆ Choose a suitable hose size from the options available and connect it to the water outlet on the pump. For maximum flow with the CP pumps, a 3 in. (76 mm) hose is recommended.
  - ◆ Select the correct dimension and length for the compressed air hose. For hose lengths up to 100 feet (30 meters), a hose with a minimum internal diameter of  $\frac{3}{4}$  in. (19 mm) should be used. If the hose length is between 100 and 330 feet (30 and 100 meters), a hose with a minimum internal diameter of 1 in. (25 mm) should be used.

## Methods to prevent freezing

CP 0077 pump is fitted with a muffler that is connected to the exhaust-air outlet.

Ice formation in the muffler can occur when the ambient air temperature is 0–10°C (32–50 °F) and the relative humidity is high.

Take the following action to further counteract the risk of ice formation:

- ◆ Use a water separator.

## Lubrication

For problem-free operation, continuous lubrication of the pump is required. Before using and after each eight hours service, fill the integrated oiler with recommended oil, at the same time remove the ejector valve plug and fill the ejector valve with 8 drops of recommended oil, see below.

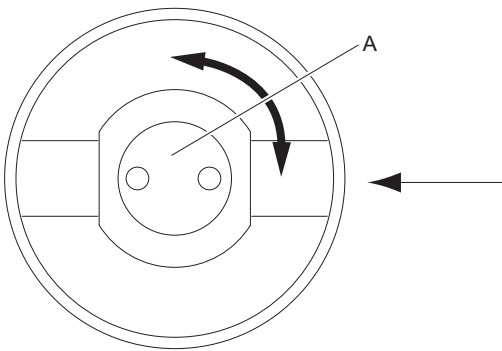
Lubricant	Temperature range °F (°C)	Viscosity grade
Air tool oil	≤100 (≤38)	100-150 SUS (ISO VG 22-32)
Air tool oil	>100 (>38)	200-300 SUS (ISO VG 46-48)

The control valve must be greased with a grease containing graphite, at each inspection period.

### Oiler adjustment

Check the lubrication by holding a piece of clean paper in front of the exhaust air outlet, while operating the pump. After about five pump strokes, traces of oil should appear on the paper.

If adjustment is needed, proceed in the following way:



- 1) Stop the pump.
- 2) Remove cap from the oiler body.
- 3) If the oil sprayer (A) is positioned as shown in picture above, the oiler gives full lubrication.  
If the oil sprayer (A) is turned 90°, the oiler gives no lubrication.
- 4) Increase or decrease the oil flow as necessary.

**NOTICE** Do not shut down the oil flow entirely as lack of lubrication will result in rapid pump failure.

## Operation

### ▲ WARNING Involuntary start

Involuntary start of the machine may cause injury.

- ▶ Keep your hands away from the start and stop device until you are ready to start the machine.
- ▶ Learn how the machine is switched off in the event of an emergency.
- ▶ Stop the machine immediately in all cases of power supply interruption.

## Preparations before starting

- ▶ Blow the compressed air hose clean before connecting it to the pump.
- ▶ If the pump has not been in use for a longer period of time, pour approximately 1 3/4 oz (5 cl) of oil directly into the air intake of the pump. This will ensure good lubrication right from the start.
- ▶ Check that the compressed air is free of water and other impurities. Dry air is particularly important when using a muffler, because a muffler increases the risk of ice formation.

## Start and stop

### ▲ WARNING Whipping discharge hose

A discharge hose that comes loose can lash around, and the hose or jets of liquid can hit the operator, and cause personal injury or death. To reduce this risk:

- ▶ Always remove kinks, before the pump is started. If the discharge hose is kinked, it can be forced out of the operator's hands.
- ▶ Always make sure that the discharge hose connections are properly attached.
- ▶ Check that the discharge hose and the connections are not damaged, replace if necessary.
- ▶ Always make sure that the outlet end of the discharge hose is properly secured.

### Start and stop

- ◆ Start the pump by connecting it to the power source.
- ◆ Stop the pump by disconnecting it from the power source.

## Operating

- > The following must be performed at the start of every shift:
  - > Shut off the compressed air.
  - > Fill the oiler with oil.
  - > Check that the oil dosage is functioning, by holding a piece of clean paper in front of the exhaust air outlet. After about five pump strokes, traces of oil should appear on the paper.
  - > Adjust the oil dosage if necessary, see section ("Oiler adjustment").
- > Allowing liquid to freeze inside the pump can cause damage to the pump.
- > The pump can be run dry, but doing so will increase the air consumption.
- > If the pump has been used in corrosive or polluted water, it must be operated in clean water for a few minutes after use.
- > If the pump operates but discharges little fluid, inspect inlet check valve and clean out any foreign objects which may be holding check valve open.

## Maintenance

Regular maintenance is a basic requirement for the continued safe and efficient use of the machine. Follow the maintenance instructions carefully.

- ◆ Use only authorised parts. Any damage or malfunction caused by the use of unauthorised parts is not covered by warranty or product liability.
- ◆ When cleaning mechanical parts with solvent, comply with appropriate health and safety regulations and ensure there is satisfactory ventilation.
- ◆ For major service to the machine, contact your nearest authorised workshop.

## Every day

Before undertaking any maintenance on the pump, always switch off the air supply. Then disconnect the air hose from the machine.

- ◆ Clean and inspect the machine and its functions each day before the work commences.
- ◆ Conduct a general inspection for leaks and damage.
- ◆ Check that the air inlet nipple is tightened and that the claw coupling is free from damage.
- ◆ Change damaged parts immediately.
- ◆ Replace damaged and worn components in good time.
- ◆ Make sure that all the attached and related equipment, such as hoses, water separators, and lubricators are properly maintained.

## Periodic maintenance

Since each application differs, the frequency and extent of maintenance is best established based upon past performance. Keeping detailed maintenance records of past performance, aids determining future preventative maintenance intervals.

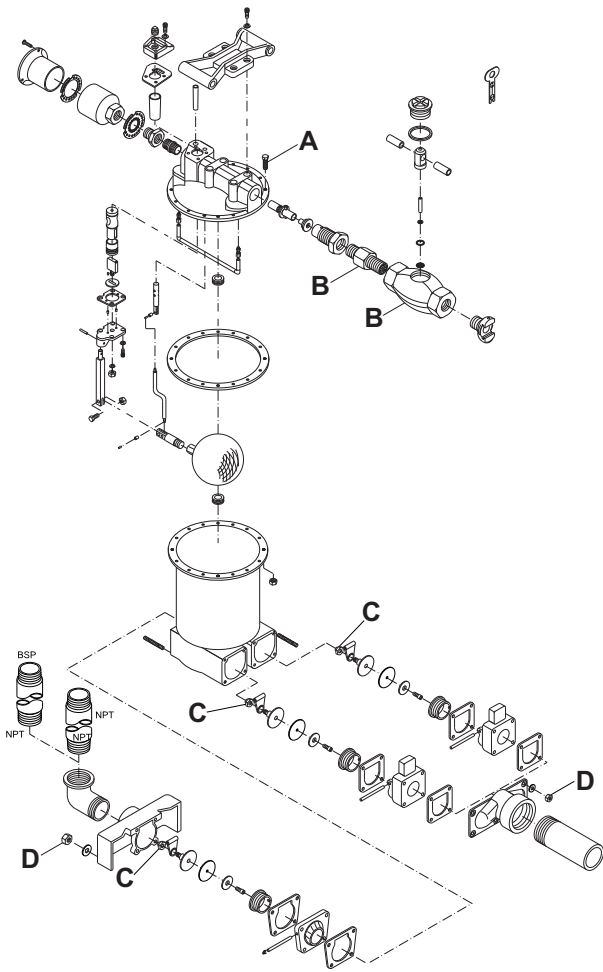
Periodic maintenance				
Time interval, pump hour				
Check point	Check concerns	Every 8th	Every 40th	Every 800th*
Hoses and connections	Leakage, damage	X		
Threaded unions	Tightness		X	
Pump, complete	-			X
Oiler	Oil level, function	X		
Ejector valve	Fill with 8 drops of oil	X		
Control valve	Greased			X

\*If the pumped medium is very abrasive, the time interval should be reduced to 400 hours.

The control valve must be greased with a good grade of grease containing graphite.

In the event of breakdown or worsening pump performance, establish the cause and rectify the fault. Ideally, repairs should be carried out in an authorised workshop.

## Tightening torques



- A. Cap screw, 11.0-14.8 lbf/ft (15-20) Nm
- B. Nipple and Body for oiler, 22.1-29.5 lbf/ft (30-40) Nm
- C. Check valve nut, 11.0-12.5 lbf/ft (15-17) Nm
- D. Nut, 22.9-25.1 lbf/ft (31-34) Nm

## Storage

### Preparing the pump for storage

- > After use it is important to flush out the pump using a clean, neutral liquid. This is particularly important if it has been used to pump acid, saline liquids or other severely polluted or aggressive liquids.
- > Pour approximately 1 dl of anti-corrosion oil directly into the air intake of the pump. Connect the pump to the compressed air line, and run it for a couple of seconds.
- > After lubricating with an anti-corrosion oil, the air intake must be plugged.
- > When a pump that has been in storage is to be put back to use, pour a little oil directly into the air intake before starting the pump.

## Disposal

A used machine must be treated and disposed of in such a way that the greatest possible portion of the material can be recycled and any negative influence on the environment is kept as low as possible, and in respect to local restrictions.

# Technical data

## Machine data

Type	Weight lb (kg)	Height in. (mm)	Width in. (mm)	Discharge inlet in. (mm)	Discharge outlet in. (mm)	Air inlet in. (mm)	Air outlet in. (mm)	Air consumption (6 bar) cfm (l/s)
CP 0077	152 (69)	23½ (600)	11 (279)	3, BSP (75)	2½, NPT (62.5)	¾, NPT (20)	1, NPT (25)	85 (40)

## Noise declaration statement

Guaranteed sound power level **L<sub>w</sub>** according to EN ISO 3744 in accordance with directive 2000/14/EC.

Sound pressure level **L<sub>p</sub>** according to EN ISO 11203.

These declared values were obtained by laboratory type testing in accordance with the stated directive or standards and are suitable for comparison with the declared values of other tools tested in accordance with the same directive or standards. These declared values are not suitable for use in risk assessments and values measured in individual work places may be higher. The actual exposure values and risk of harm experienced by an individual user are unique and depend upon the way the user works, in what material the machine is used, as well as upon the exposure time and the physical condition of the user, and the condition of the machine.

We, Atlas Copco Construction Tools AB, cannot be held liable for the consequences of using the declared values, instead of values reflecting the actual exposure, in an individual risk assessment in a work place situation over which we have no control.

## Noise data

Type	Noise	
	Declared values	
	Sound pressure EN ISO 11203	Sound power 2000/14/EC
	<b>L<sub>p</sub></b> r=1m dB(A) rel 20µPa	<b>L<sub>w</sub></b> guaranteed dB(A) rel 1pW
CP 0077	98	111

# EC Declaration of Conformity

## EC Declaration of Conformity (EC Directive 2006/42/EC)

We, Atlas Copco Construction Tools AB, hereby declare that the machines listed below conform to the provisions of EC Directive 2006/42/EC (Machinery Directive) and the harmonised standards mentioned below.

Sludge pumps	Guaranteed sound power level [dB(A)]	Measured sound power level [dB(A)]	Pmax (bar)
CP 0077	111	109	6.2

### Following harmonised standards were applied:

- ◆ EN 809:1998

### Following other standards were applied:

- ◆ 2000/14/EC, Appendix V

### Technical Documentation authorised representative:

Per Forsberg  
 Atlas Copco Construction Tools AB  
 Dragonvägen 2  
 Kalmar

### Vice president Design and Development:

Erik Sigfridsson

### Manufacturer:

Atlas Copco Construction Tools AB  
 Box 703  
 391 27 Kalmar  
 Sweden

### Place and date:

Kalmar, 2012-06-30

## FRANÇAIS

**Sommaire**

<b>Introduction</b> .....	17
<b>À propos des prescriptions de sécurité et des instructions pour l'opérateur</b> .....	17
<b>Consignes de sécurité</b> .....	18
Indications de sécurité .....	18
Précautions et qualifications du personnel .....	18
Installation, précautions .....	18
Fonctionnement, précautions .....	19
Maintenance, précautions .....	21
Stockage, précautions .....	21
<b>Vue d'ensemble</b> .....	22
Conception et fonctionnement .....	22
Principales pièces .....	22
Étiquettes .....	23
<b>Installation</b> .....	23
Préparation .....	23
Installation stationnaire .....	23
Flexibles et connexions .....	23
Mesures de prévention contre le gel .....	24
Lubrification .....	24
<b>Commande</b> .....	24
Opérations à effectuer avant la mise en service .....	24
Marche/arrêt .....	25
Utilisation .....	25
<b>Maintenance</b> .....	25
Chaque jour .....	25
Maintenance périodique .....	25
Couples de serrage .....	26
<b>Stockage</b> .....	27
Préparation de la pompe pour son entreposage .....	27
<b>Destruction d'une machine usagée</b> .....	27
<b>Caractéristiques techniques</b> .....	28
Caractéristiques de la machine .....	28
Énoncé déclaratif sur le bruit .....	28
Données acoustiques .....	28
<b>Déclaration CE de conformité</b> .....	29
Déclaration CE de conformité (Directive 2006/42/CE) .....	29



## Introduction

Nous vous remercions d'avoir choisi un produit Chicago Pneumatic. Depuis plus d'un siècle, la marque Chicago Pneumatic est synonyme de performance et d'innovation dans le secteur des outils pneumatiques.

Aujourd'hui, la société offre une vaste gamme d'outils pneumatiques et hydrauliques comprenant brise-béton, trépan, marteaux burineurs, marteaux-bêches, pioches et défricheuses, bouchardeuses, pompes et bien d'autres outils.

La marque Chicago Pneumatic est associée avec des produits puissants et fiables, faciles à entretenir et ayant un bon rapport qualité-prix.

Pour plus d'informations, veuillez consulter le site Web [www.cp.com](http://www.cp.com)

Atlas Copco Construction Tools AB  
Box 703  
391 27 Kalmar  
Sweden

## À propos des prescriptions de sécurité et des instructions pour l'opérateur

Ces instructions ont pour objectifs de vous apprendre à utiliser la pompe de manière efficace et en toute sécurité. Les instructions vous donnent également des conseils et vous indiquent comment effectuer la maintenance de routine de la pompe.

Vous devez lire ces instructions attentivement et les comprendre avant d'utiliser la pompe pour la première fois.

## Consignes de sécurité

Il convient de lire et d'assimiler les Prescriptions de sécurité et des instructions pour l'opérateur avant toute installation, utilisation, réparation, entretien ou remplacement d'accessoire sur la machine, afin de minimiser le risque de blessures graves ou de dommages pouvant entraîner la mort.

Affichez les Prescriptions de sécurité et instructions pour l'opérateur sur les différents sites de travail ; faites en des copies pour les employés et assurez-vous que chaque personne concernée a bien lu les Prescriptions de sécurité et instructions pour l'opérateur, avant d'utiliser ou d'intervenir sur la machine.

En outre, l'opérateur ou l'employeur doit évaluer les risques spécifiques pouvant survenir à la suite de chaque utilisation de la machine.

## Indications de sécurité

Les indications de sécurité Danger, Attention et Prudence ont les sens suivants :

### DANGER

Indique une situation dangereuse qui, si elle n'est pas évitée, terminera par provoquer la mort ou des blessures graves.

### AVERTISSEMENT

Indique une situation dangereuse qui, si elle n'est pas évitée, est de susceptible de provoquer la mort ou des blessures graves.

### ATTENTION

Indique une situation dangereuse qui, si elle n'est pas évitée, est de susceptible de provoquer des blessures mineures à modérées.

## Précautions et qualifications du personnel

Seules des personnes qualifiées ou formées peuvent utiliser ou procéder à l'entretien de la machine. Elles doivent être physiquement aptes à manipuler le volume, le poids et la puissance de l'outil. Utilisez toujours votre jugement et votre bon sens.

## Équipement de protection du personnel

Utilisez toujours un équipement de protection individuelle homologué. Les opérateurs et toutes autres personnes séjournant sur la zone de travail doivent porter un équipement de protection individuelle, incluant au minimum :

- > Casque de protection
- > Protections auditives
- > Protecteurs des yeux résistants aux chocs avec protection latérale
- > Appareil de protection respiratoire, le cas échéant
- > Gants de protection
- > Bottes de protection adaptées
- > Salopette de travail appropriée ou vêtement similaire (serré) qui recouvre les bras et les jambes.

## Drogues, alcool ou médicaments

### ▲ AVERTISSEMENT Drogues, alcool ou médicaments

Les drogues, l'alcool ou les médicaments risquent d'avoir un effet négatif sur votre jugement et votre capacité de concentration. De mauvaises réactions et des évaluations incorrectes peuvent entraîner des accidents graves, voire la mort.

- ▶ N'utilisez jamais la machine lorsque vous êtes fatigué(e) ou sous l'influence de drogues, de l'alcool ou de médicaments.
- ▶ L'utilisation de la machine par une personne sous l'influence de drogues, de l'alcool ou de médicaments est strictement interdite.

## Installation, précautions

### ▲ DANGER Coup de fouet d'un flexible pneumatique

Un flexible d'air comprimé qui se détache risque de fouetter dans tous les sens et de provoquer des dommages corporels ou la mort. Pour réduire ce risque :

- ▶ Vérifiez que le flexible d'air comprimé et les raccords ne sont pas endommagés. Les remplacer si nécessaire.
- ▶ Vérifiez que les raccords d'air comprimé sont correctement fixés.
- ▶ Ne jamais porter une machine pneumatique par le flexible d'air.
- ▶ Ne jamais essayer de débrancher un flexible d'air comprimé sous pression. D'abord, coupez l'alimentation en air comprimé au niveau du compresseur, puis purgez la machine en activant le dispositif de marche/arrêt.

- ▶ N'utilisez pas de raccords rapides à l'entrée de l'outil. Utilisez des raccords filetés en acier trempé (ou un matériau présentant une résistance aux chocs comparable).
- ▶ Chaque fois que des raccords universels (raccords à griffes) sont utilisés, nous recommandons de monter des goupilles de verrouillage et d'utiliser des câbles de sécurité pour tuyaux flexibles, afin d'empêcher tout relâchement d'un accouplement flexible - outil et tuyau - tuyau.
- ▶ Ne jamais pointer un flexible d'air comprimé sur quelqu'un ou sur soi. Afin d'éviter tout risque de blessure, ne jamais utiliser l'air comprimé pour nettoyer la poussière, les salissures, etc., sur vos vêtements.

### ▲ AVERTISSEMENT Risque de coup de fouet incontrôlé

Un flexible d'évacuation qui se détache risque de fouetter dans tous les sens et de provoquer des dommages corporels, voire la mort. Pour réduire ce risque :

- ▶ Éliminez tous les enchevêtrements, avant le début du pompage. Si le flexible d'évacuation est enchevêtré, il risque d'échapper à l'opérateur sous l'effet de la pression.
- ▶ Assurez-vous toujours que les raccords de flexible d'évacuation sont correctement fixés.
- ▶ Vérifiez que le flexible d'évacuation et les raccords ne sont pas endommagés. Les remplacer si nécessaire.
- ▶ Vérifiez toujours que l'extrémité de sortie du flexible d'évacuation est correctement fixée.

### ▲ AVERTISSEMENT Risques liés à une installation stationnaire

La pompe est principalement destinée à des applications temporaires (mobiles). Si la pompe est utilisée dans une installation stationnaire, les raccordements entre la pompe et la canalisation peuvent se détacher et des jets de liquide ou d'autres particules ou un peuvent être projetés et provoquer des blessures en heurtant l'opérateur ou d'autres personnes.

- ▶ Toujours utiliser un tuyau flexible pour les raccordements entre la pompe et la canalisation.
- ▶ Ne jamais suspendre la pompe à l'aide de son flexible.

## Fonctionnement, précautions

### ▲ DANGER Danger d'explosion

Si une pompe entre en contact avec un explosif ou avec des gaz explosifs, cela pourrait provoquer une explosion. Lors d'utilisation de certains matériaux dans les pièces de la machine, des étincelles susceptibles d'enflammer des gaz peuvent provoquer des explosions. Les explosions peuvent provoquer des dommages corporels voire la mort.

- ▶ Ne jamais utiliser la machine dans un environnement explosif quelconque.

### ▲ AVERTISSEMENT Pompe chaude

Si du liquide chaud est pompé, la pompe peut devenir chaude. Toucher une pompe chaude peut entraîner des brûlures et des blessures corporelles.

- ▶ Éviter de toucher la pompe si du liquide chaud est pompé.

### ▲ AVERTISSEMENT Risques liés aux liquides inflammables

En cas de pompage d'un liquide inflammable, les gaz peuvent explosés lorsqu'ils sont enflammés. Cela peut entraîner des blessures ou la mort.

- ▶ Ne jamais pomper des liquides inflammables.

### ▲ AVERTISSEMENT Arrêt d'urgence en cas de danger

Si une situation d'urgence survient durant le pompage et que la pompe n'est pas arrêtée immédiatement, il existe un risque de lésions corporelles ou de mort.

- ▶ Montez une vanne tout ou rien sur le tuyau d'alimentation en air, le plus près possible de la pompe.
- ▶ Actionnez la vanne tout ou rien en cas d'urgence.

### ▲ AVERTISSEMENT Risques liés au niveau de liquide pompé

Si le niveau du liquide pompé est supérieur au niveau du silencieux, le liquide pompé sera mélangé avec l'air d'échappement, ce qui risque de provoquer des lésions corporelles voire la mort.

- ▶ Ne jamais positionner la pompe de telle manière que le niveau du liquide pompé se trouve au-dessus du niveau du silencieux.

**▲ AVERTISSEMENT Mouvements inopinés**

En cours de fonctionnement, la pompe peut se déplacer de manière imprévisible. Les accessoires peuvent se rompre à cause de la fatigue après un certain temps d'utilisation. Des mouvements soudains et imprévus peuvent entraîner des blessures. En outre, les pertes d'équilibre ou les glissades peuvent provoquer des blessures.

- ▶ Faites attention de ne pas perdre l'équilibre lorsque vous immergez ou retirez la pompe du liquide : utilisez un dispositif de levage approprié.
- ▶ Vérifiez toujours l'équipement avant de l'utiliser. Évitez d'utiliser l'équipement s'il vous semble endommagé.
- ▶ Assurez-vous que les poignées sont toujours bien propres, sans graisse ni huile.
- ▶ Les pièces mobiles peuvent pincer ou couper. Ne contrôlez jamais les orifices ou les canaux avec les mains ou les doigts.
- ▶ Ne maltraitez jamais l'équipement.
- ▶ Examinez régulièrement l'usure des accessoires et contrôlez la présence éventuelle de signes de détérioration ou de fissures visibles.
- ▶ Soyez vigilant et concentrez-vous sur ce que vous faites.

**▲ AVERTISSEMENT Projectiles**

Durant le fonctionnement, des particules peuvent être projetés et provoquer des blessures en heurtant l'opérateur ou d'autres personnes. Pour réduire ces risques :

- ▶ Utilisez des équipements de protection personnelle et un casque de sécurité approuvés, y compris une protection oculaire résistante avec protection latérale.
- ▶ Assurez-vous qu'aucune personne non autorisée ne pénètre dans la zone de travail.
- ▶ Maintenir le lieu de travail propre et exempt de corps étrangers.
- ▶ Les jets de liquide provenant du flexible d'évacuation peut contenir des solides projetés à une très grande vitesse. Ne jamais orienter les jets de liquide vers d'autres personnes.

**▲ AVERTISSEMENT Risques de glissades, de trébuchements et de chute**

Il existe des risques de glissades, de trébuchements et de chute, par exemple sur des flexibles ou d'autres objets. Une glissade, un trébuchement ou une chute peut provoquer des blessures. Pour réduire ce risque :

- ▶ Toujours s'assurer qu'aucun flexible ou autre objet ne risque, d'une manière ou d'une autre, de gêner le passage d'une personne.
- ▶ Assurez-vous de toujours adopter une position stable, les pieds dans le prolongement de vos épaules et votre poids bien réparti sur les deux jambes.

**▲ DANGER Dangers électriques**

La machine n'est pas isolée électriquement. Tout contact de la machine avec de l'électricité risque de provoquer des blessures graves ou la mort.

- ▶ N'utilisez jamais la machine près d'un câble électrique ou d'une autre source d'électricité.
- ▶ Assurez-vous de l'absence de câbles cachés ou d'autres sources d'électricité dans la zone de travail.

**▲ AVERTISSEMENT Démarrage accidentel**

Le démarrage accidentel de la machine peut provoquer des blessures.

- ▶ Gardez les mains bien éloignées du dispositif de marche/arrêt jusqu'au moment de démarrer la machine.
- ▶ Apprenez à éteindre la machine en cas d'urgence.
- ▶ Arrêtez immédiatement la machine en cas de coupure d'énergie quelconque.

**▲ AVERTISSEMENT Danger lié au bruit**

Des niveaux de bruit élevés peuvent provoquer une perte d'audition permanente et d'autres problèmes tels que l'acouphène (sonnerie, grondement, sifflement ou bourdonnement dans les oreilles). Afin de réduire les risques et d'éviter une augmentation inutile des niveaux de bruit :

- ▶ L'évaluation des risques de ces dangers et de mise en œuvre de mesures de contrôle appropriées est essentielle.
- ▶ Exploiter et entretenir la machine comme cela est recommandé dans ces instructions.
- ▶ Toujours utiliser des protections auditives.

## **Maintenance, précautions**

---

### **▲ AVERTISSEMENT    Modifications sur la machine**

Toute modification sur la machine peut provoquer des blessures physiques à vous-même ou aux autres.

- ▶ Ne jamais modifier la machine. Toute machine modifiée n'est pas couverte par la garantie ou la responsabilité produits.
- ▶ Utilisez toujours des pièces et des accessoires d'origine.
- ▶ Remplacez immédiatement les pièces endommagées.
- ▶ Remplacez les éléments ou pièces usés sans attendre.

## **Stockage, précautions**

---

- ◆ Conservez la machine et les outils bien verrouillés, dans un endroit sûr, hors de la portée des enfants.

## Vue d'ensemble

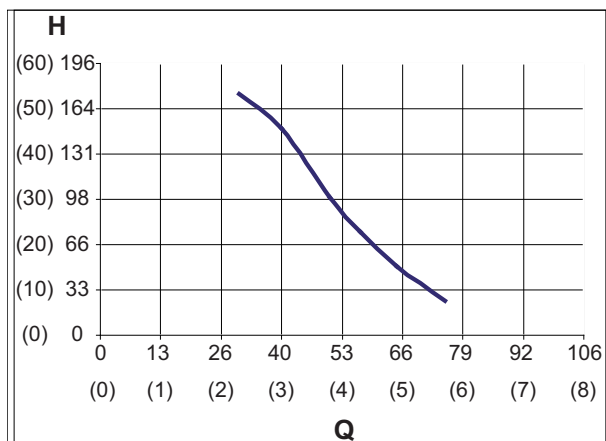
**Il convient de lire et d'assimiler les Prescriptions de sécurité et des instructions pour l'opérateur avant toute installation, utilisation, réparation, entretien ou remplacement d'accessoire sur la machine, afin de minimiser le risque de blessures graves ou de dommages pouvant entraîner la mort.**

## Conception et fonctionnement

La pompe à boues CP 0077 est destinée à l'évacuation d'eau dans les tranchées, les fossés et les regards. Elle peut également être utilisée comme pompe industrielle sur les sites d'excavation, dans les applications de forage humide contenant des fragments de roche, le pompage d'eau de mer et pour certains produits chimiques corrosifs. Il n'est pas recommandé de pomper de liquide ayant une température supérieure à 212°F (100°C). Toute autre utilisation est interdite. La pompe CP 0077 est adaptée pour répondre aux différentes exigences en termes de débit (Q) et de hauteur de charge (H), voir le schéma ci-dessous.

La pompe CP 0077 n'est pas entièrement submersible, ce qui signifie qu'elle ne peut pas être immergée dans le liquide pompé, sous le niveau du silencieux. La pompe CP 0077 peut aisément traiter les eaux contenant des matières solides allant jusqu'à 15 % de la masse totale en suspension. Elle est également capable de prendre en charge les particules solides jusqu'à 1" (25 mm), sans provoquer de blocage. La pompe CP 0077 est auto-amorcée.

Le schéma s'applique pour une pression de 6 bar (87 psi) et lors du pompage à partir du niveau de la plaque de base. L'utilisation d'un tuyau d'aspiration réduit la hauteur de charge éventuelle.

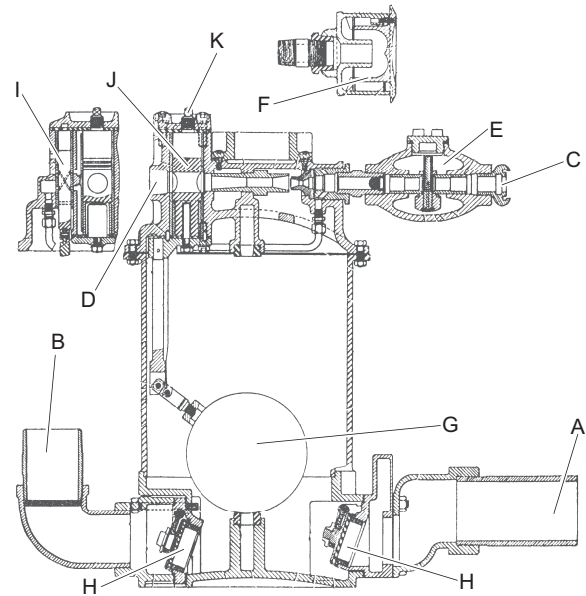


H : Hauteur de charge feet (m)

Q : Débit roue gal/min (l/s)

**AVIS** Si une pression d'air inférieure à celle recommandée est utilisée, ou si le liquide pompé présente une viscosité différente de celle de l'eau, la capacité de la pompe sera modifiée et le graphique ci-dessus ne sera pas précis si un tuyau d'aspiration est utilisé.

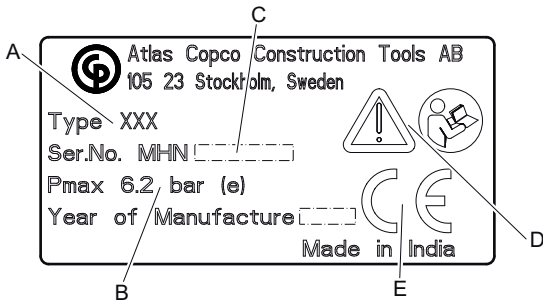
## Principales pièces



- A. Arrivée liquide
- B. Sortie refoulement
- C. Entrée d'air
- D. Sortie d'air
- E. Graisseur
- F. Silencieux
- G. Flotteur
- H. Clapet anti-retour
- I. Vanne de commande
- J. Vanne d'éjection
- K. Bouchon de vanne d'éjection

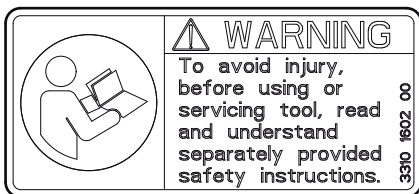
## Étiquettes

### Plaque signalétique



- Type de machine
- Pression d'air comprimé maximale autorisée
- Numéro de série
- Le symbole « Attention » accompagné du symbole du livre signifie que l'utilisateur doit lire les « Prescriptions de sécurité et instructions pour l'opérateur » avant la première utilisation de la machine.
- Le symbole CE indique la conformité de la machine avec les directives applicables. Pour plus d'informations, consultez la déclaration CE de conformité fournie avec la machine. L'absence du symbole CE indique que la machine n'est pas conforme aux directives applicables.

### Étiquette de sécurité



Lire et comprendre les consignes de sécurité fournies séparément avant d'utiliser l'outil ou d'effectuer son entretien, afin d'éviter tout risque de blessures.

## Installation

### Préparation

Toujours s'assurer que la pompe est placée de manière stable sur une surface plane.

En fonction des conditions sur le chantier, la pompe peut être installée de différentes façons.

Si un tuyau d'aspiration est raccordé à l'arrivée du liquide :

- La pompe n'a pas besoin d'être partiellement immergée dans le liquide pompé.
- Vérifiez que l'extrémité ouverte du tuyau d'aspiration est complètement submergée.
- L'utilisation d'un tuyau d'aspiration peut avoir un effet négatif sur la hauteur de charge.

Su aucun tuyau d'aspiration n'est utilisé :

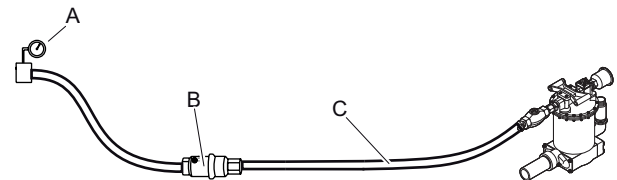
- Vérifiez que l'orifice d'admission de liquide de la pompe est totalement immergé dans le liquide pompé.

**AVIS** Ne jamais immerger la pompe dans le liquide pompé, sous le niveau du silencieux. Lors du pompage d'un réservoir ou d'un barrage, le niveau de silencieux ne doit jamais se trouver en-dessous du niveau du liquide dans le réservoir ou barrage.

## Installation stationnaire

La pompe est principalement destinée à des applications temporaires (mobiles). Si la pompe est utilisée dans une installation stationnaire, veillez à utiliser un tuyau flexible pour les raccordements entre la pompe et la canalisation.

## Flexibles et connexions



- Source d'air comprimé
  - Séparateur d'eau (en option)
  - 10 feet (3 m) maximum de flexible d'air comprimé entre le séparateur d'eau et la machine.
- Vérifiez que vous utilisez la bonne pression de fonctionnement recommandée, 87 psig (6 bar).
  - Ne dépassez pas la pression d'air maximale autorisée pour la machine, 90 psig (6,2 bar).
  - Éliminez toute impureté du flexible d'air comprimé avant de le brancher à la machine.
  - Choisissez une taille de flexible appropriée parmi les options disponibles et connectez ce dernier à la sortie d'eau de la pompe. Sur les pompes CP, un flexible de 3 in. (76 mm) est recommandé pour un débit maximum.

- ◆ Sélectionnez un flexible d'air comprimé possédant une dimension et une longueur correctes. Pour les longueurs de flexible allant jusqu'à 100 feet (30 mètres), il faut utiliser un flexible de diamètre intérieur minimal de  $\frac{3}{4}$  in. (19 mm). Si la longueur de flexible est de 100 à 330 feet (30 à 100 mètres), il faut utiliser un flexible de diamètre intérieur minimal de 1 in. (25 mm).

## Mesures de prévention contre le gel

La pompe CP 0077 est équipée d'un silencieux monté sur l'orifice d'échappement.

Le givrage peut se produire dans le silencieux lorsque la température ambiante est de 0-10°C (32-50 °F) et que l'humidité relative est élevée.

Observez la recommandation suivante pour éviter le risque de formation de givre :

- ◆ Utilisez un séparateur d'eau.

## Lubrification

La lubrification continue de la pompe est exigée pour assurer un fonctionnement sans problème. Avant l'utilisation et après chaque service de huit heures, remplissez le graisseur intégré avec de l'huile recommandée ; retirez également le bouchon et remplissez la vanne d'éjection de huit gouttes d'huile recommandée, voir ci-dessous.

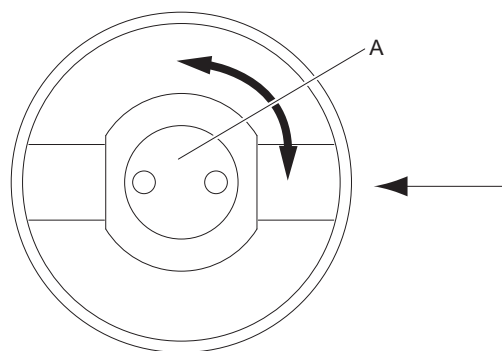
Lubrifiant	Plage de température °F (°C)	Grade de viscosité
Huile pour outil pneumatique	≤100 (≤38)	100-150 SUS (ISO VG 22-32)
Huile pour outil pneumatique	>100 (>38)	200-300 SUS (ISO VG 46-48)

Graissez la vanne de commande avec de la graisse à base de graphite, à chaque période de contrôle.

### Réglage du graisseur

Vérifiez la lubrification en tenant un morceau de papier propre devant l'orifice d'échappement lorsque la pompe fonctionne. Après environ cinq courses de la pompe, des traces d'huile doivent apparaître sur le papier.

Procédez comme suit si un réglage est nécessaire :



- 1) Arrêtez la pompe.
- 2) Retirez le couvercle du corps du graisseur.
- 3) Si le pulvérisateur d'huile (A) est positionné comme le montre la figure ci-dessus, le graisseur assurera un graissage complet.  
Si le pulvérisateur d'huile (A) est orienté à 90°, aucune lubrification n'aura lieu.
- 4) Augmentez ou réduisez le débit d'huile selon les besoins.

**AVIS** Ne pas fermer le débit complètement, du fait que l'absence de lubrification engendre une panne rapide de la pompe.

## Commande

### ▲ AVERTISSEMENT Démarrage accidentel

Le démarrage accidentel de la machine peut provoquer des blessures.

- ▶ Gardez les mains bien éloignées du dispositif de marche/arrêt jusqu'au moment de démarrer la machine.
- ▶ Apprenez à éteindre la machine en cas d'urgence.
- ▶ Arrêtez immédiatement la machine en cas de coupure d'énergie quelconque.

## Opérations à effectuer avant la mise en service

- > Éliminez toute impureté dans le flexible d'air comprimé avant de le brancher à la pompe.
- > Si la pompe est restée utilisée durant une période prolongée, versez environ 1 $\frac{3}{4}$  oz (5 cl) d'huile directement dans l'admission d'air de la pompe. Cela assurera une lubrification appropriée dès le départ.
- > Vérifiez que l'air comprimé est exempt d'eau et autres impuretés. Un air sec est particulièrement important lors de l'utilisation d'un silencieux, du fait qu'un silencieux augmente le risque de formation de glace.



## Marche/arrêt

### ▲ AVERTISSEMENT Risque de coup de fouet incontrôlé

Un flexible d'évacuation qui se détache risque de fouetter dans tous les sens et de provoquer des dommages corporels, voire la mort. Pour réduire ce risque :

- ▶ Éliminez tous les enchevêtrements, avant le début du pompage. Si le flexible d'évacuation est enchevêtré, il risque d'échapper à l'opérateur sous l'effet de la pression.
- ▶ Assurez-vous toujours que les raccords de flexible d'évacuation sont correctement fixés.
- ▶ Vérifiez que le flexible d'évacuation et les raccords ne sont pas endommagés. Les remplacer si nécessaire.
- ▶ Vérifiez toujours que l'extrémité de sortie du flexible d'évacuation est correctement fixée.

### Marche/arrêt

- ◆ Démarrez la pompe en la connectant à la source d'alimentation.
- ◆ Arrêtez la pompe en la déconnectant de la source d'alimentation.

## Utilisation

- > Effectuez les opérations suivantes au début de chaque session de travail :
  - > Coupez l'arrivée d'air comprimé.
  - > Remplissez le graisseur d'huile.
  - > Vérifiez que le dosage d'huile fonctionne, en tenant un morceau de papier propre devant l'orifice d'échappement. Après environ cinq courses de la pompe, des traces d'huile doivent apparaître sur le papier.
  - > Ajustez le dosage d'huile si nécessaire, voir la section « Réglage du graisseur ».
- > Ne jamais laisser du liquide geler à l'intérieur de la pompe : risques de dommages de l'unité.
- > La pompe peut tourner à sec mais dans ce cas, la consommation d'air augmente.
- > Si la pompe a fonctionné dans de l'eau corrosive ou polluée, elle doit être utilisée dans de l'eau propre pendant quelques minutes après son utilisation.
- > Si la pompe fonctionne mais rejette un peu de liquide, contrôlez le clapet antiretour dans le raccord d'entrée et nettoyez tout objet étranger qui risquerait de maintenir ce clapet ouvert.

## Maintenance

Une maintenance régulière est une condition fondamentale pour que la machine reste un outil sûr et efficace. Respectez soigneusement les instructions d'entretien.

- ◆ N'utilisez que des pièces de rechange autorisées. Aucun dommage ou mauvais fonctionnement dû à l'utilisation de pièces non autorisées n'est couvert par la garantie ou la responsabilité produits.
- ◆ Lors du nettoyage des pièces mécaniques avec un solvant, assurez-vous que vous respectez bien les normes de sécurité et de santé et que la ventilation est suffisante.
- ◆ Pour un entretien plus complet de la machine, contactez l'atelier homologué le plus proche.

## Chaque jour

Coupez toujours l'arrivée d'air avant toute intervention d'entretien sur la pompe. Débranchez ensuite le flexible d'air de la machine.

- ◆ Nettoyez et inspectez la machine et ses fonctionnalités chaque jour, avant son utilisation.
- ◆ Effectuez une inspection générale des fuites et dommages.
- ◆ Vérifiez que l'embout de prise d'air est bien serré et que le raccord décaleur n'est pas endommagé.
- ◆ Remplacez immédiatement les pièces endommagées.
- ◆ Ne tardez pas à remplacer les composants abîmés et usés.
- ◆ Assurez-vous que tous les équipements auxiliaires ou connexes, comme les flexibles, les séparateurs d'eau et les graisseurs, sont correctement entretenus.

## Maintenance périodique

Étant donné que chaque application est différente, la meilleure manière de déterminer la fréquence et l'étendue de l'entretien consiste à se baser sur les performances passées. La tenue de registres d'entretien détaillés des performances précédentes aide à déterminer les futurs intervalles d'entretien préventif.

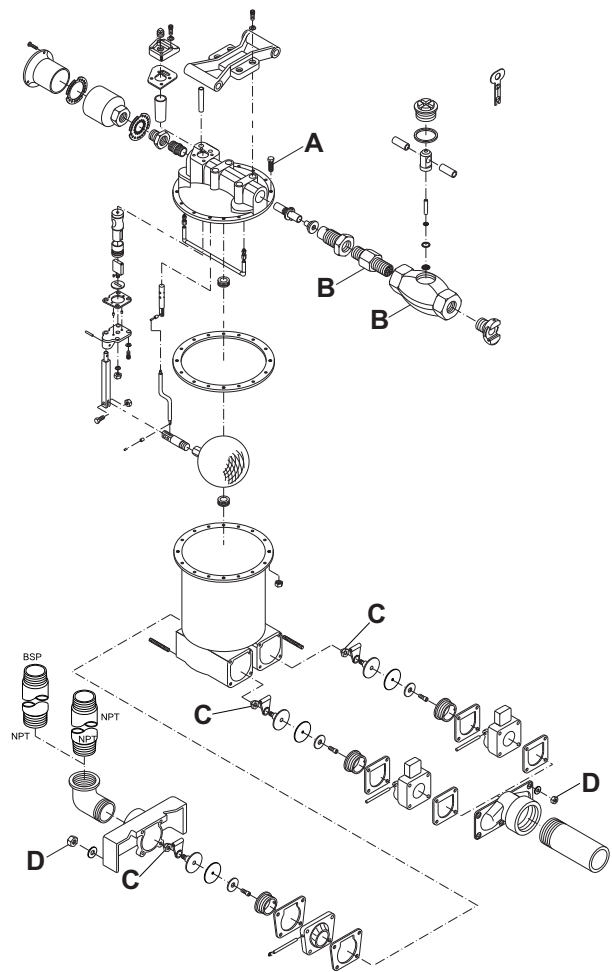
Maintenance périodique				
Intervalle de temps, heure/pompe				
Composant	Problème	Toutes les 8 h	Toutes les 40 h	Toutes les 800 h*
Flexibles et connexions	Fuite, dommage	X		
Raccords filetés	Étanchéité		X	
Pompe, complète	-			X
Graisseur	Niveau d'huile, fonctionnement	X		
Vanne d'éjection	Remplir de 8 gouttes d'huile	X		
Vanne de commande	Graissée			X

\*Si le liquide pompé est très abrasif, il faudra réduire l'intervalle de temps à 400 heures.

Graissez la vanne de commande avec de la graisse à base de graphite de qualité.

En cas de panne ou de dégradation des performances de la pompe, établir la cause et corriger le problème. Les réparations doivent de préférence être effectuées dans un atelier agréé.

## Couples de serrage



- A. Bouchon vissé, 11.0-14.8 lbf/ft (15-20) Nm
- B. Raccord et corps du graisseur, 22.1-29.5 lbf/ft (30-40) Nm
- C. Écrou clapet antiretour, 11.0-12.5 lbf/ft (15-17) Nm
- D. Écrou, 22.9-25.1 lbf/ft (31-34) Nm

## Stockage

### Préparation de la pompe pour son entreposage

---

- > Après utilisation, il est important de rincer la pompe en utilisant un liquide propre et neutre. Cela est particulièrement important si elle a été utilisée pour pomper des liquides salins acides ou d'autres liquides fortement chargés ou agressifs.
- > Versez environ 1 dl d'huile anticorrosion, directement dans la prise d'air de la pompe. Reliez la pompe à la ligne d'air comprimé et laissez-la fonctionner pendant quelques secondes.
- > Après lubrification avec une huile anti-corrosion, l'entrée d'air devra être bouchée.
- > Lorsqu'une pompe entreposée est remise en service, versez un peu d'huile directement dans la prise d'air avant le démarrage de la pompe.

### Destruction d'une machine usagée

Toute machine usagée doit être traitée et détruite de telle manière que la plus grande partie des matériaux puisse être recyclée et que tout impact négatif sur l'environnement soit aussi faible que possible, et conformément aux réglementations locales.

## Caractéristiques techniques

### Caractéristiques de la machine

Type	Poids lb (kg)	Hauteur in. (mm)	Largeur in. (mm)	Entrée refoulement in. (mm)	Sortie refoulement in. (mm)	Entrée d'air in. (mm)	Sortie d'air in. (mm)	Consommation d'air (6 bar) cfm (l/s)
CP 0077	152 (69)	23½ (600)	11 (279)	3, BSP (75)	2½, NPT (62,5)	¾, NPT (20)	1, NPT (25)	85 (40)

### Énoncé déclaratif sur le bruit

Niveau de puissance acoustique garanti **L<sub>w</sub>** selon la norme EN ISO 3744 conformément à la directive 2000/14/CE.

Niveau de pression acoustique **L<sub>p</sub>** selon la norme EN ISO 11203.

Ces valeurs déclarées ont été obtenues à l'issue de tests de type effectués en laboratoire conformément à la directive ou aux normes énoncées et peuvent être comparées aux valeurs déclarées pour d'autres outils testés conformément aux mêmes directives ou normes. Ces valeurs déclarées ne sont pas appropriées pour l'utilisation dans les évaluations de risques et les valeurs mesurées dans différents lieux de travail peuvent être plus élevées. Les valeurs d'exposition et le risque de blessure pour un utilisateur particulier sont uniques et dépendent de la façon dont il travaille, du matériel sur lequel la machine est utilisée, ainsi que de la durée d'exposition, de l'état physique de l'utilisateur et de l'état de la machine.

Atlas Copco Construction Tools AB, ne peut être tenu pour responsable des conséquences d'une utilisation des valeurs déclarées à la place des valeurs correspondant à l'exposition réelle, dans le cadre d'une évaluation des risques sur un lieu de travail dont nous ne maîtrisons aucun élément.

### Données acoustiques

Type	Bruit	
	Valeurs déclarées	
	Pression acoustique EN ISO 11203	Puissance acoustique 2000/14/CE
	<b>L<sub>p</sub></b> r=1m dB(A) rel 20µPa	<b>L<sub>w</sub></b> garanti dB(A) rel 1pW
CP 0077	98	111

## Déclaration CE de conformité

### Déclaration CE de conformité (Directive 2006/42/CE)

Nous, Atlas Copco Construction Tools AB, déclarons par la présente que les machines énumérées ci-dessous sont conformes aux dispositions de la directive européenne 2006/42/CE (directive « Machines ») et des normes harmonisées mentionnées ci-dessous.

Pompe à boue	Niveau de puissance acoustique garanti [dB(A)]	Niveau de puissance acoustique mesurée [dB(A)]	Pmax (bar)
CP 0077	111	109	6.2

#### Les normes harmonisées suivantes ont été appliquées :

- ◆ EN 809:1998

#### Les autres normes suivantes ont été appliquées :

- ◆ 2000/14/EC, Appendix V

#### Représentant agréé de la documentation technique :

Per Forsberg  
Atlas Copco Construction Tools AB  
Dragonvägen 2  
Kalmar

#### Vice-président Conception et Développement:

Erik Sigfridsson

#### Fabricant :

Atlas Copco Construction Tools AB  
Box 703  
391 27 Kalmar  
Sweden

#### Lieu et date :

Kalmar, 2012-06-30

**DEUTSCH****Inhalt**

<b>Einleitung</b> .....	31
<b>Informationen zu den Sicherheitshinweisen und zur Betriebsanleitung</b> .....	31
<b>Sicherheitshinweise</b> .....	32
Sicherheits-Signalworte.....	32
Personliche Vorsichtsmaßnahmen und Qualifikationen.....	32
Installation, Vorsichtsmaßnahmen.....	32
Betrieb, Vorsichtsmaßnahmen.....	33
Wartung, Vorsichtsmaßnahmen.....	35
Lagerung, Vorsichtsmaßnahmen.....	35
<b>Übersicht</b> .....	36
Konstruktion und Funktion.....	36
Hauptkomponenten.....	36
Etiketten.....	37
<b>Installation</b> .....	37
Vorbereitung.....	37
Feste Installation.....	37
Schläuche und Anschlüsse.....	37
Methoden zur Vermeidung von Einfrieren.....	38
Schmierung.....	38
<b>Betrieb</b> .....	38
Vorbereitungen vor der Inbetriebnahme.....	39
Start und Stopp.....	39
Betrieb.....	39
<b>Wartung</b> .....	39
Täglich.....	39
Regelmäßige Wartung.....	40
Anziehdrehmomente.....	40
<b>Lagerung</b> .....	41
Vorbereitung der Pumpe für die Lagerung.....	41
<b>Entsorgung</b> .....	41
<b>Technische Daten</b> .....	42
Maschinendaten.....	42
Erklärung zur Geräuschemission.....	42
Angaben zur Geräuschemission.....	42
<b>EG-Konformitätserklärung</b> .....	43
EG-Konformitätserklärung (EG-Richtlinie 2006/42/EG).....	43

## Einleitung

Wir danken Ihnen für die Wahl eines Produkts von Chicago Pneumatic. In der Druckluftwerkzeug-Industrie steht die Marke Chicago Pneumatic seit über 100 Jahren für Leistung und Innovation.

Heute bietet das Unternehmen weltweit eine breite Palette pneumatischer und hydraulischer Werkzeuge. Dazu gehören Aufbrechhämmer, Bohrhämmer, Meißelhämmer, Grabhämmer, Abbauhämmer und Niethämmer, Spitzhämmer, Pumpen und vieles mehr.

Die Marke Chicago Pneumatic garantiert stets leistungsfähige, leicht zu bedienende und zuverlässige Produkte mit einem hervorragenden Preis-Leistungs-Verhältnis.

Weitere Informationen erhalten Sie auf unserer Website: [www.cp.com](http://www.cp.com)

Atlas Copco Construction Tools AB  
Box 703  
391 27 Kalmar  
Sweden

## Informationen zu den Sicherheitshinweisen und zur Betriebsanleitung

Ziel dieser Anleitung ist es, Sie mit der sicheren und effizienten Bedienung der Pumpe vertraut zu machen. Die Anleitung enthält auch Hinweise zur Durchführung regelmäßiger Wartungsarbeiten an der Pumpe.

Lesen Sie bitte diese Anleitung vor der ersten Benutzung der Pumpe genau durch.

## Sicherheitshinweise

Lesen Sie bitte vor Installation, Betrieb, Reparatur und Wartung der Maschine bzw. vor dem Wechsel von Zubehör die Sicherheitshinweise und die Betriebsanleitung sorgfältig durch, um Unfallrisiken, die mit ernsthaften Verletzungen oder Lebensgefahr verbunden sein können, zu vermeiden.

Schlagen Sie diese Sicherheitshinweise und Betriebsanleitung am Arbeitsplatz an. Verteilen Sie Kopien an die Mitarbeiter. Stellen Sie sicher, dass jeder Mitarbeiter vor dem Betrieb der Maschine oder vor Wartungsarbeiten diese Sicherheitshinweise und Betriebsanleitung liest.

Darüber hinaus sollten der Bediener oder der Arbeitgeber des Bedieners die spezifischen Risiken bewerten, die bei jeder Anwendung dieser Maschine bestehen.

## Sicherheits-Signalworte

Die Sicherheits-Signalworte Gefahr, Warnung und Achtung haben folgende Bedeutung:

<b>GEFAHR</b>	Hinweis auf eine Gefahrensituation, die bei Nichtbeachtung zu schweren oder lebensgefährlichen Unfällen führt.
<b>WARNUNG</b>	Hinweis auf eine Gefahrensituation, die bei Nichtbeachtung zu schweren oder lebensgefährlichen Unfällen führen kann.
<b>VORSICHT</b>	Hinweis auf eine Gefahrensituation, die bei Nichtbeachtung zu geringen oder leichten Verletzungen führen kann.

## Personliche Vorsichtsmaßnahmen und Qualifikationen

Die Maschine darf nur von qualifiziertem und geschultem Personal bedient oder gewartet werden. Dieses muss physisch in der Lage sein, mit Größe, Gewicht und Leistung der Maschine umzugehen. Verlassen Sie sich immer auf Ihren gesunden Menschenverstand.

## Schutzausrüstung

Verwenden Sie stets geeignete Schutzausrüstung! Von Mitarbeitern und anderen Personen im Arbeitsbereich ist mindestens folgende Schutzausrüstung zu tragen:

- > Schutzhelm
- > Gehörschutz
- > Schutzbrille (mit seitlicher Abschirmung der Augen)
- > Atemmaske (bei Bedarf)
- > Schutzhandschuhe
- > Geeignete Sicherheitsschuhe
- > Geeigneter Arbeitsanzug oder ähnliche (eng anliegende) Kleidung, die Arme und Beine bedeckt.

## Drogen, Alkohol oder Medikamente

### ▲ **WARNUNG** Drogen, Alkohol oder Medikamente

Drogen, Alkohol oder Medikamente können Ihre Urteilskraft und Konzentrationsfähigkeit einschränken. Schlechte Reaktionsfähigkeit und Fehleinschätzungen können zu schweren Verletzungen führen.

- ▶ Bedienen Sie die Maschine niemals, wenn Sie müde sind oder unter dem Einfluss von Drogen, Alkohol oder Medikamenten stehen.
- ▶ Personen, die unter dem Einfluss von Drogen, Alkohol oder Medikamenten stehen, dürfen die Maschine nicht bedienen.

## Installation, Vorsichtsmaßnahmen

### ▲ **GEFAHR** Ausschlagender Druckluftschlauch

Ein Druckluftschlauch, der sich gelöst hat, kann ausschlagen und lebensgefährliche Verletzungen verursachen. Zur Verhütung dieses Unfallrisikos ist Folgendes zu beachten:

- ▶ Stellen Sie sicher, dass Druckluftschlauch und Anschlüsse unbeschädigt sind, und ersetzen Sie diese gegebenenfalls.
- ▶ Stellen Sie sicher, dass sämtliche Druckluftanschlüsse korrekt befestigt sind.
- ▶ Tragen Sie eine Druckluftmaschine niemals am Druckluftschlauch.



- ▶ Ein unter Druck stehender Druckluftschlauch darf unter keinen Umständen abgebaut oder demontiert werden. Schalten Sie zuerst die Druckluft am Kompressor aus und lassen Sie die Maschine durch Betätigen des Start- und Stoppschalters auslaufen.
- ▶ Verwenden Sie an der Werkzeugaufnahme keine Schnellkupplungen. Verwenden Sie Schlaucharmaturen mit Gewinde und aus gehärtetem Stahl (oder aus Material mit vergleichbarer Stoßfestigkeit).
- ▶ Bei Verwendung von Universaldrehkupplungen (Klauenkupplungen) empfehlen wir die Installation von Sicherungsstiften und Sicherungskabeln (die das Umherschlagen von Druckschläuchen verhindern), um den erforderlichen Schutz zu gewährleisten, falls eine Verbindung von Werkzeug zu Schlauch oder von Schlauch zu Schlauch versagt.
- ▶ Richte einen Druckluftschlauch nie auf eine andere Person oder den eigenen Körper! Um Verletzungen zu vermeiden, darf Druckluft niemals zum Sauberblasen von Kleidung oder auf ähnliche Weise zweckentfremdet werden.

### **▲ WARNUNG Ausschlagender Ablaufschlauch**

Ein Ablaufschlauch, der sich gelöst hat, kann ausschlagen. Dabei können der Schlauch oder Flüssigkeitsstrahlen den Bediener treffen und lebensgefährliche Verletzungen verursachen. Zur Verhütung dieses Unfallrisikos ist Folgendes zu beachten:

- ▶ Beseitigen Sie alle Abknickungen, bevor Sie die Pumpe einschalten. Wenn der Ablaufschlauch abgeknickt wird, kann er dem Bediener aus der Hand gerissen werden.
- ▶ Stellen Sie stets sicher, dass die Ablaufschlauchanschlüsse korrekt befestigt sind.
- ▶ Stellen Sie sicher, dass Ablaufschlauch und Anschlüsse unbeschädigt sind, und ersetzen Sie diese gegebenenfalls.
- ▶ Stellen Sie stets sicher, dass der Auslass des Ablaufschlauchs ordnungsgemäß gesichert ist.

### **▲ WARNUNG Gefahren bei fester Installation**

Die Pumpe ist primär für temporäre (mobile) Anwendungen vorgesehen. Befindet sich die Pumpe in einer festen Installation, können sich die Verbindungen zwischen Pumpe und Rohr lösen, und Flüssigkeitsstrahlen oder andere Partikel können den Bediener treffen und lebensgefährliche Verletzungen verursachen.

- ▶ Verwenden Sie für die Verbindung zwischen Pumpe und Rohr stets einen flexiblen Schlauch.
- ▶ Hängen Sie die Pumpe niemals am Schlauch auf.

## **Betrieb, Vorsichtsmaßnahmen**

### **▲ GEFAHR Explosionsgefahr**

Wenn eine Pumpe mit Explosivstoffen oder explosiven Gasen in Kontakt kommt, kann es zu einer Explosion kommen. Bei der Verwendung von bestimmten Materialien in Maschinenkomponenten können Funken auftreten und Explosionen verursachen. Explosionen können zu ernsthaften Verletzungen oder zum Tod führen.

- ▶ Die Maschine nie in einer explosiven Umgebung betreiben.

### **▲ WARNUNG Heiße Pumpe**

Wenn heiße Flüssigkeiten gepumpt werden, kann die Pumpe heiß werden. Das Berühren einer heißen Pumpe kann zu Verbrennungen führen.

- ▶ Vermeiden Sie, die Pumpe anzufassen, wenn heiße Flüssigkeiten gepumpt werden.

### **▲ WARNUNG Gefahr durch brennbare Flüssigkeit**

Beim Pumpen von brennbaren Flüssigkeiten, können deren Dämpfe durch Funken explodieren, was wiederum zu ernsthaften Verletzungen oder zum Tod führen könnte.

- ▶ Pumpen Sie niemals brennbare Flüssigkeiten.

### **▲ WARNUNG Gefahr durch Notsituation**

Wird in einer Notsituation die Pumpe nicht sofort gestoppt, besteht die Gefahr lebensgefährlicher Verletzungen.

- ▶ Integrieren Sie so dicht wie möglich an der Pumpe ein Abschaltventil in den Druckluftschlauch.
- ▶ Aktivieren Sie das Abschaltventil, wenn eine Notsituation auftritt.

### ▲ **WARNUNG** Gefahr durch Pegel des Pumpmediums

Wenn sich der Pegel des Pumpmediums oberhalb der Schalldämpferebene befindet, mischt sich das Pumpmedium mit der Abluft, und es besteht die Gefahr lebensgefährlicher Verletzungen.

- ▶ Ordnen Sie die Pumpe niemals so an, dass sich der Pegel des Pumpmediums oberhalb der Schalldämpferebene befindet.

### ▲ **WARNUNG** Unerwartete Bewegungen

Im Betrieb kann die Pumpe unerwartete Bewegungen ausführen. Verschleißteile können nach Ablauf ihrer Lebensdauer aufgrund von Werkstoffermüdung brechen. Plötzliche und unerwartete Bewegungen können Verletzungen verursachen. Außerdem kann es zu Verletzungen kommen, wenn Sie das Gleichgewicht verlieren oder ausrutschen.

- ▶ Achten Sie darauf, beim Eintauchen oder Herausnehmen der Pumpe nicht das Gleichgewicht zu verlieren. Verwenden Sie eine geeignete Hebevorrichtung.
- ▶ Prüfen Sie die Ausrüstung vor jeder Anwendung. Bei Schadensverdacht darf die Ausrüstung auf keinen Fall verwendet werden.
- ▶ Stellen Sie sicher, dass die Pumpe einschließlich des Zubehörs sauber und frei von Fett oder Öl sind.
- ▶ Bewegliche Teile können Verletzungen verursachen – prüfen Sie Bohrungen niemals mit der Hand oder den Fingern.
- ▶ Gehen Sie mit der Ausrüstung sorgsam um.
- ▶ Prüfen Sie das Zubehör regelmäßig auf Abnutzung, Beschädigungen oder sichtbare Risse.
- ▶ Achten Sie während des Betriebs auf ungewöhnliche Vorgänge.

### ▲ **WARNUNG** Fliegende Splitter

Im Betrieb können Partikel oder Flüssigkeitsstrahlen zu Geschossen werden und schwere Verletzungen verursachen, wenn Sie den Bediener oder andere Personen treffen. Zur Verhütung dieses Unfallrisikos ist Folgendes zu beachten:

- ▶ Tragen Sie immer geeignete Schutzausrüstung und einen Schutzhelm, einschließlich einer Schutzbrille mit seitlicher Abschirmung der Augen.
- ▶ Stellen Sie sicher, dass Unbefugte den Arbeitsbereich nicht betreten können.
- ▶ Der Arbeitsplatz ist sauber und aufgeräumt zu hinterlassen.

- ▶ Flüssigkeitsstrahlen aus dem Ablaufschlauch könnten Festkörper mit hoher Geschwindigkeit enthalten. Richten Sie Flüssigkeitsstrahlen niemals auf andere Personen.

### ▲ **WARNUNG** Gefahren durch Ausrutschen, Stolpern und Hinfallen

Es besteht die Gefahr, auszurutschen, zu stolpern oder hinzufallen, z. B. Stolpern über Schläuche oder andere Gegenstände. Ausrutschen, Stolpern oder Hinfallen kann zu Verletzungen führen. Zur Verhütung dieses Unfallrisikos ist Folgendes zu beachten:

- ▶ Stellen Sie stets sicher, dass Ihnen oder anderen Personen keine Schläuche oder andere Objekte in Weg sind.
- ▶ Stellen Sie sicher, dass Sie immer eine stabile Standposition einnehmen. Verteilen Sie dazu Ihr Körpergewicht auf beide Füße, die schulterbreit auseinander stehen.

### ▲ **GEFAHR** Gefahren durch elektrischen Strom

Die Maschine ist nicht elektrisch isoliert. Wenn die Maschine mit Elektrizität in Kontakt kommt, kann dies zu ernsthaften Verletzungen oder zum Tod führen.

- ▶ Betreiben Sie die Maschine niemals in der Nähe von elektrischen Leitungen oder anderen Stromquellen.
- ▶ Stellen Sie sicher, dass innerhalb des Arbeitsbereichs keine verborgenen elektrischen Quellen vorhanden sind.

### ▲ **WARNUNG** Unbeabsichtigter Start

Unbeabsichtigtes Starten der Maschine kann zu Verletzungen führen.

- ▶ Halten Sie Ihre Hände so lange vom Start- und Stoppschalter fern, bis Sie zum Starten der Maschine bereit sind.
- ▶ Machen Sie sich damit vertraut, wie die Maschine im Notfall ausgeschaltet wird.
- ▶ Stoppen Sie die Maschine bei jeglicher Unterbrechung der Energieversorgung.

**▲ WARNUNG    Gehörverlust**

Hohe Schallpegel können zu bleibendem Hörverlust und anderen Problemen wie Tinnitus (Klingel-, Summ-, Brumm- oder Pfeifgeräusche in den Ohren) führen. Zur Verringerung dieser Gefahren und zur Vermeidung von unnötig hohen Schallpegeln ist Folgendes zu beachten:

- ▶ Eine Risikoanalyse dieser Gefahren und eine Implementierung geeigneter Kontrollmaßnahmen werden dringend empfohlen.
- ▶ Betrieb und Wartung der Maschine sind entsprechend dieser Anleitung durchzuführen.
- ▶ Tragen Sie stets einen Gehörschutz.

## **Wartung, Vorsichtsmaßnahmen**

---

**▲ WARNUNG    Änderungen an der Maschine**

Änderungen an der Maschine können zu schweren Unfällen führen.

- ▶ Nehmen Sie niemals Änderungen an der Maschine vor. Bei modifizierten Maschinen entfallen Garantie und Produkthaftung.
- ▶ Verwenden Sie stets Originalteile und Originalzubehör.
- ▶ Wechseln Sie beschädigte Bauteile sofort aus.
- ▶ Ersetzen Sie verschlissene Komponenten rechtzeitig.

## **Lagerung, Vorsichtsmaßnahmen**

---

- ◆ Lagern Sie die Maschine und die Werkzeuge in einer sicheren, abgeschlossenen Umgebung und für Kinder unzugänglich.

# Übersicht

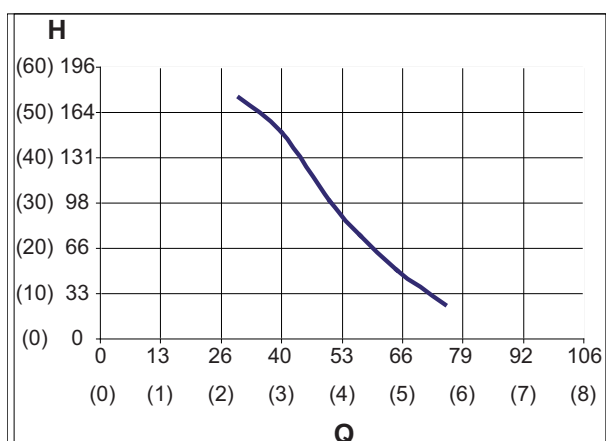
**Lesen Sie bitte vor Installation, Betrieb, Reparatur und Wartung der Maschine bzw. vor dem Wechsel von Zubehör die Sicherheitshinweise und die Betriebsanleitung sorgfältig durch, um Unfallrisiken, die mit ernsthaften Verletzungen oder Lebensgefahr verbunden sein können, zu vermeiden.**

## Konstruktion und Funktion

Die Schlammpumpe CP 0077 ist für das Abpumpen von Wasser aus Gräben, Baugruben und Schächten vorgesehen. Sie kann auch als Industriepumpe in Ausschachtungen, für Nassbohranwendungen mit Gesteinsbrocken, zum Pumpen von Seewasser und für bestimmte korrosive Chemikalien angewendet werden. Es wird nicht empfohlen, Flüssigkeiten mit Temperaturen über 212°F (100°C) zu pumpen. Andere Einsatzgebiete sind nicht zulässig. Die CP 0077 ist in der Lage, unterschiedliche Anforderungen in Bezug auf Durchfluss (Q) und Förderhöhe (H) zu erfüllen, siehe Diagramm unten.

Die CP 0077 ist nicht vollständig versenkbar, d.h. sie kann nicht weiter als bis zur Schalldämpferebene in das Fördermedium eingetaucht werden. Die CP 0077 kann problemlos Wasser pumpen, das bis zu 15% der Gesamtmasse Festkörper enthält. Sie kann ebenso problemlos Festpartikel bis zu einer Größe von 1" (25 mm) verarbeiten, ohne zu blockieren. Die CP 0077 ist selbstansaugend.

Das Diagramm gilt für 6 bar (87 psi) und für das Pumpen von Grundplattenebene. Die Verwendung eines Ansaugschlauchs verringert die Förderhöhe.



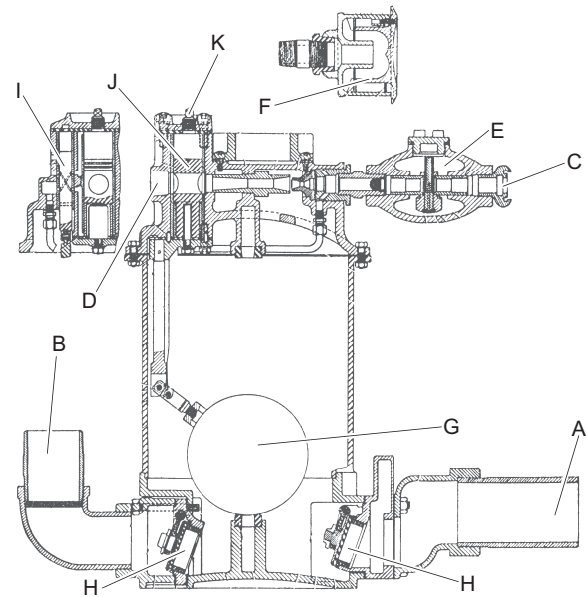
H: Förderhöhe feet (m)

Q: Durchfluss gal/min (l/s)

**HINWEIS** Wenn ein Ansaugschlauch verwendet oder ein geringerer Luftdruck als der empfohlene angewendet oder Flüssigkeiten mit einer anderen Viskosität als Wasser gefördert werden, verringert

sich die Kapazität der Pumpe, und das Diagramm oben wird ungenau.

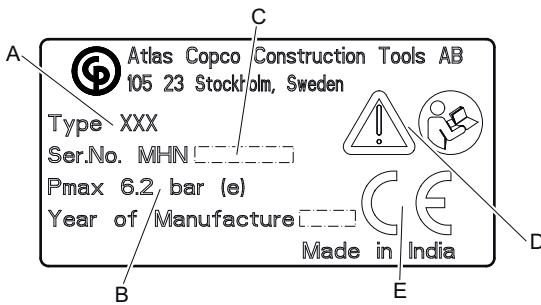
## Hauptkomponenten



- A. Flüssigkeitseinlass
- B. Förderauslass
- C. Luftzufuhr
- D. Luftauslass
- E. Schmiervorrichtung
- F. Schalldämpfer
- G. Schwimmer
- H. Rückschlagventil
- I. Regelventil
- J. Ausstoßventil
- K. Ausstoßventilverschluss

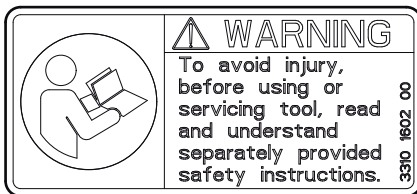
## Etiketten

### Typenschild



- A. Maschinentyp
- B. Max. zulässiger Druckluftdruck
- C. Seriennummer
- D. Das Warnsymbol und das Buchsymbol weisen darauf hin, dass Sie vor dem ersten Einsatz der Maschine die Sicherheitshinweise und die Betriebsanleitung lesen müssen.
- E. Das CE-Zeichen zeigt an, dass die Maschine EG-geprüft ist. Weitere Informationen dazu finden Sie in der beigegeführten EG-Konformitätserklärung. Fehlt das CE-Zeichen, bedeutet dies, dass die Maschine nicht EG-geprüft ist.

### Sicherheitsschild



Lesen Sie vor Benutzung und Wartung des Werkzeugs die separat mitgelieferten Sicherheitshinweise sorgfältig durch, um Verletzungen zu vermeiden.

## Installation

### Vorbereitung

Stellen Sie stets sicher, dass die Pumpe sicher auf einer ebenen Oberfläche steht.

Je nach den Umgebungsbedingungen kann die Pumpe auf verschiedene Arten installiert werden.

Wenn ein Ansaugschlauch an den Flüssigkeitseinlass angeschlossen wird:

- ◆ muss die Pumpe nicht teilweise in das Fördermedium eingetaucht werden.
- ◆ stellen Sie sicher, dass das freie Ende des Ansaugschlauchs vollständig eingetaucht ist.
- ◆ Die Verwendung eines Ansaugschlauchs kann die Förderhöhe verringern.

Wenn kein Ansaugschlauch verwendet wird:

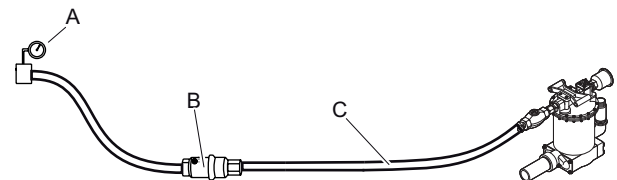
- ◆ Stellen Sie sicher, dass der Flüssigkeitseinlass der Pumpe vollständig in das Fördermedium eingetaucht ist.

**HINWEIS** Tauchen Sie die Pumpe niemals tiefer als bis zum Schalldämpfer in das Fördermedium ein: Beim Abpumpen eines Tanks oder Damms, darf die Schalldämpferebene niemals unter die Flüssigkeitsoberfläche im Tank oder in der Stauanlage geraten.

## Feste Installation

Die Pumpe ist primär für temporäre (mobile) Anwendungen vorgesehen. Befindet sich die Pumpe in einer festen Installation, stellen Sie sicher, dass die Verbindung zwischen Pumpe und Rohr als flexibler Schlauch ausgeführt wird.

## Schläuche und Anschlüsse



- A. Druckluftquelle
- B. Wasserabscheider (optional)
- C. Max. 10 feet (3 m) Druckluftschlauch zwischen Wasserabscheider und Maschine.
- ◆ Stellen Sie sicher, dass Sie den richtigen Luftdruck von 87 psig (6 Bar) eingestellt haben.
- ◆ Der für die Maschine zulässige maximale Luftdruck von 90 psig (6,2 bar) darf nicht überschritten werden.
- ◆ Blasen Sie alle Verunreinigungen aus dem Druckluftschlauch aus, bevor Sie die Maschine anschließen.

- ♦ Wählen Sie aus den verfügbaren Optionen einen Schlauch in geeigneter Größe, und schließen Sie ihn an den Wasserauslass der Pumpe an. Für die CP-Pumpen wird für maximalen Durchfluss ein 3 in. -Schlauch (76 mm) empfohlen.
- ♦ Wählen Sie für den Druckluftschlauch den richtigen Durchmesser und die passende Länge aus. Für Schlauchlängen bis 100 feet (30 m) sollte ein Innendurchmesser von mindestens  $\frac{3}{4}$  in. (19 mm) verwendet werden. Für Schlauchlängen von 100 bis 330 feet (30 bis 100 m) sollte ein Innendurchmesser von mindestens 1 in. (25 mm) verwendet werden.

## Methoden zur Vermeidung von Einfrieren

Die CP 0077 besitzt einen Schalldämpfer, der an den Abluftauslass angeschlossen ist.

Bei Umgebungstemperaturen von 0 bis 10 °C (32 bis 50 °F) und hoher relativer Luftfeuchtigkeit kann sich im Schalldämpfer Eis bilden.

Eine weitere Verringerung des Risikos für Eisbildung wird durch folgende Maßnahmen erreicht:

- ♦ Verwenden Sie einen Wasserabscheider.

## Schmierung

Für eine problemlose Funktion ist eine ständige Schmierung der Pumpe erforderlich. Füllen Sie vor dem Einsatz und alle acht Betriebsstunden die integrierte Schmiervorrichtung mit dem empfohlenen Öl auf. Entfernen Sie zusätzlich den Ausstoßventilverschluss, und befüllen Sie das Ausstoßventil mit 8 Tropfen des empfohlenen Öls, siehe unten.

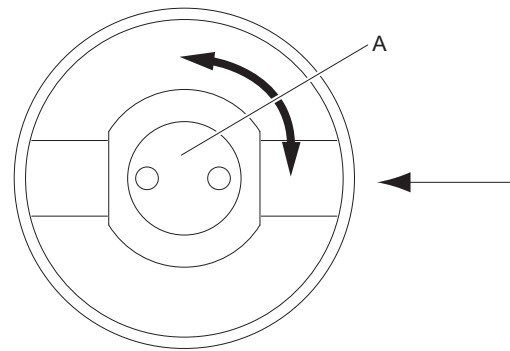
Schmiermittel	Temperaturbereich °F (°C)	Viskosität
Druckluft werkzeugöl	≤100 (≤38)	100-150 SUS (ISO VG 22-32)
Druckluft werkzeugöl	>100 (>38)	200-300 SUS (ISO VG 46-48)

Das Regelventil muss bei jeder Inspektion mit Graphitschmiermittel geschmiert werden.

### Einstellung der Schmiervorrichtung

Prüfen Sie die Schmierung, indem Sie während die Pumpe läuft ein sauberes Stück Papier in den Abluftstrom halten. Nach ca. fünf Pumpstößen sollten sich Spuren von Öl auf dem Papier zeigen.

Ist eine Einstellung erforderlich, gehen Sie wie folgt vor:



- 1) Stoppen Sie die Pumpe.
- 2) Entfernen Sie den Verschluss der Schmiervorrichtung.
- 3) Wenn der Ölsprüher (A) wie in der Abbildung unten eingestellt ist, liefert die Schmiervorrichtung maximale Schmierung.  
Wenn der Ölsprüher (A) um 90° gedreht eingestellt ist, liefert die Schmiervorrichtung keine Schmierung.
- 4) Erhöhen oder verringern Sie den Ölfluss nach Bedarf.

**HINWEIS** Reduzieren Sie den Ölfluss nicht vollständig, da eine mangelnde Schmierung schnell zu einem Ausfall der Pumpe führt.

## Betrieb

### ▲ WARNUNG Unbeabsichtigter Start

Unbeabsichtigtes Starten der Maschine kann zu Verletzungen führen.

- ▶ Halten Sie Ihre Hände so lange vom Start- und Stoppschalter fern, bis Sie zum Starten der Maschine bereit sind.
- ▶ Machen Sie sich damit vertraut, wie die Maschine im Notfall ausgeschaltet wird.
- ▶ Stoppen Sie die Maschine bei jeglicher Unterbrechung der Energieversorgung.

## Vorbereitungen vor der Inbetriebnahme

- > Blasen Sie den Druckluftschlauch aus, bevor Sie ihn an die Pumpe anschließen.
- > War die Pumpe längere Zeit nicht in Betrieb, füllen Sie ca. 1 ¾ oz (5 cl) Öl direkt in die Luftzufuhr der Pumpe. Damit ist bereits ab dem Start eine gute Schmierung gewährleistet.
- > Stellen Sie sicher, dass die Druckluft frei von Wasser oder anderen Verunreinigungen ist. Trockene Druckluft ist besonders bei Einsatz eines Schalldämpfers erforderlich, da ein Schalldämpfer das Risiko der Eisbildung erhöht.

## Start und Stopp

### ▲ **WARNUNG** Ausschlagender Ablaufschlauch

Ein Ablaufschlauch, der sich gelöst hat, kann ausschlagen. Dabei können der Schlauch oder Flüssigkeitsstrahlen den Bediener treffen und lebensgefährliche Verletzungen verursachen. Zur Verhütung dieses Unfallrisikos ist Folgendes zu beachten:

- ▶ Beseitigen Sie alle Abknickungen, bevor Sie die Pumpe einschalten. Wenn der Ablaufschlauch abgeknickt wird, kann er dem Bediener aus der Hand gerissen werden.
- ▶ Stellen Sie stets sicher, dass die Ablaufschlauchanschlüsse korrekt befestigt sind.
- ▶ Stellen Sie sicher, dass Ablaufschlauch und Anschlüsse unbeschädigt sind, und ersetzen Sie diese gegebenenfalls.
- ▶ Stellen Sie stets sicher, dass der Auslass des Ablaufschlauchs ordnungsgemäß gesichert ist.

### Start und Stopp

- ◆ Starten Sie die Pumpe, indem Sie sie an die Energieversorgung anschließen.
- ◆ Stoppen Sie die Pumpe, indem Sie sie von der Energieversorgung trennen.

## Betrieb

- > Folgendes muss zu Beginn jeder Schicht durchgeführt werden:
  - > Druckluft ausschalten
  - > Schmiervorrichtung mit Öl füllen
  - > Prüfen Sie die Öldosierfunktion, indem Sie ein sauberes Stück Papier in den Abluftstrom halten. Nach ca. fünf Pumpstößen sollten sich Spuren von Öl auf dem Papier zeigen.
  - > Passen Sie bei Bedarf die Öldosierung an; siehe Abschnitt „Einstellung der Schmiervorrichtung“.
- > Wenn Flüssigkeiten im Innern der Pumpe gefrieren, kann die Pumpe beschädigt werden.
- > Die Pumpe kann trocken laufen, dies erhöht jedoch den Luftdurchsatz.
- > Wenn die Pumpe in korrosivem oder verschmutztem Wasser eingesetzt wurde, muss sie anschließend einige Minuten lang in sauberem Wasser betrieben werden.
- > Wenn die Pumpe läuft, aber nur wenig Flüssigkeit fördert, prüfen Sie das Einlassregelventil, und entfernen Sie jegliche Fremdkörper, die das Regelventil offen halten könnten.

## Wartung

Eine regelmäßige Wartung ist die Grundvoraussetzung für den Erhalt der Sicherheit und Effektivität der Maschine. Halten Sie sich bitte genau an die Wartungsanweisungen.

- ◆ Verwenden Sie ausschließlich Originalbauteile. Schäden oder Fehlfunktionen, die durch den Einsatz unzulässiger Bauteile entstehen, werden nicht durch Garantie oder Produkthaftung abgedeckt.
- ◆ Stellen Sie beim Reinigen mechanischer Teile mit Lösungsmittel sicher, dass die geltenden Gesundheits- und Sicherheitsvorschriften eingehalten werden und für ausreichende Lüftung gesorgt ist.
- ◆ Für eine Hauptdurchsicht der Maschine wenden Sie sich an Ihre nächste Vertragswerkstatt.

## Täglich

Schalten Sie vor jeder Wartung der Pumpe stets die Druckluftversorgung aus. Trennen Sie anschließend den Druckluftschlauch von der Maschine.

- ◆ Säubern und prüfen Sie die Maschine auf ihre Funktionsfähigkeit täglich vor Arbeitsbeginn.
- ◆ Führen Sie eine allgemeine Prüfung auf Undichtigkeiten und Beschädigungen durch.
- ◆ Stellen Sie sicher, dass der Einlassnippel festgezogen und die Klauenkupplung nicht beschädigt ist.
- ◆ Wechseln Sie beschädigte Bauteile sofort aus.
- ◆ Ersetzen Sie beschädigte oder verschlissene Komponenten rechtzeitig.
- ◆ Stellen Sie sicher, dass Ausrüstung und Zubehör, z. B. Schläuche, Wasserabscheider und Schmiervorrichtungen, gut gewartet sind.

## Regelmäßige Wartung

Aufgrund der unterschiedlichen Anwendungsfälle sind die jeweilige Wartungshäufigkeit und der Wartungsumfang am besten anhand der früheren Leistung zu bemessen. Die detaillierte Aufzeichnung der Leistung bei der Wartung erleichtert die Festlegung eines Intervalls für vorbeugende Wartung.

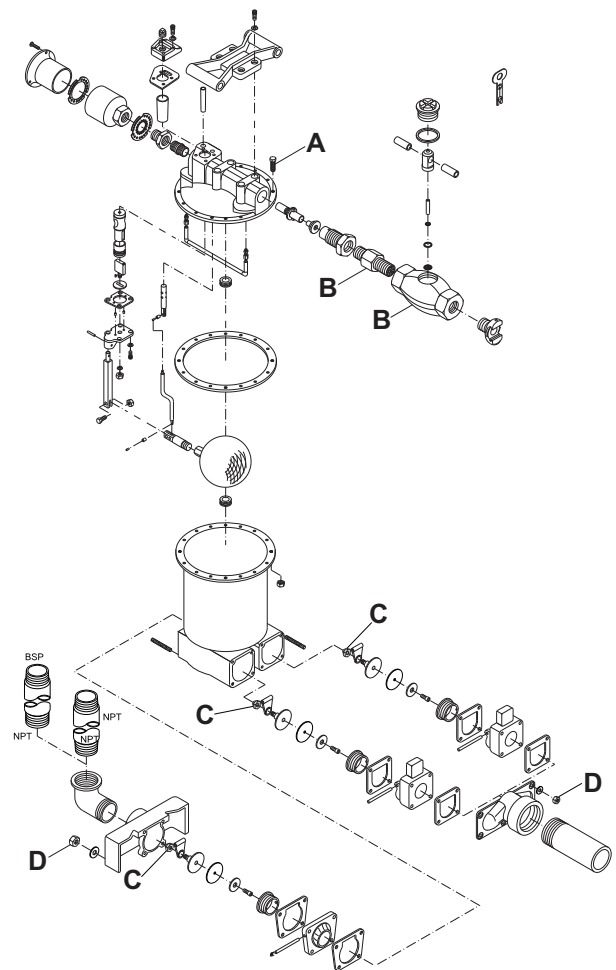
Regelmäßige Wartung				
Prüfgegend	Prüfen auf	Zeitintervall, Pumpstunden		
		Jedes 8. Mal	Jedes 40. Mal	Jedes 800. Mal*
Schläuche und Anschlüsse	Leckstellen, Beschädigungen	X		
Schraubverbindungen	Dichtheit		X	
Pumpe, vollständig	-			X
Schmier Vorrichtung	Ölstand, Funktion	X		
Ausstoßventil	mit 8 Tropfen Öl befüllen	X		
Regelventil	Gefettet			X

\*Wenn das Pumpmedium sehr schleifend ist, muss das Intervall auf 400 Stunden reduziert werden.

Das Regelventil muss mit einem hochwertigen Graphitschmiermittel geschmiert werden.

Falls ein Ausfall oder eine Verschlechterung der Pumpleistung auftritt, ermitteln Sie die Ursache, und beheben Sie den Fehler. Reparaturen sollten vorzugsweise in einer Fachwerkstatt erfolgen.

## Anziehdrehmomente



- A. Kopfschraube, 11,0-14,8 lbf/ft (15-20) Nm
- B. Nippel und Gehäuse der Schmiervorrichtung, 22,1-29,5 lbf/ft (30-40) Nm
- C. Rückschlagventilmutter, 11,0-12,5 lbf/ft (15-17) Nm
- D. Mutter 22,9-25,1 lbf/ft (31-34 Nm).



## Lagerung

### Vorbereitung der Pumpe für die Lagerung

- > Nach der Anwendung muss die Pumpe mit einer sauberen, neutralen Flüssigkeit ausgespült werden. Dies ist besonders wichtig, wenn die Pumpe zuvor zum Pumpen von Säure, salzhaltigen Flüssigkeiten oder anderen stark verschmutzten oder aggressiven Flüssigkeiten verwendet wurde.
- > Füllen Sie ca. 100 ml Rostschutzöl direkt in die Luftzufuhr der Pumpe. Verbinden Sie die Pumpe mit der Druckluftleitung und lassen Sie sie für ein paar Sekunden laufen.
- > Nach dem Schmieren mit Rostschutzöl muss die Luftzufuhr der Pumpe verschlossen werden.
- > Füllen Sie nach der Lagerung und vor der Inbetriebnahme der Pumpe etwas Öl direkt in die Luftzufuhr der Pumpe.

## Entsorgung

Eine verschlissene Maschine muss so entsorgt werden, dass so viel Material wie möglich wiederverwendet werden kann und die Umwelt in Übereinstimmung mit den örtlichen Regelungen so wenig wie möglich belastet wird.

# Technische Daten

## Maschinendaten

Typ	Gewicht lb (kg)	Höhe in. (mm)	Breite in. (mm)	Förderer inlass in. (mm)	Förderer auslass in. (mm)	Luftzu- fuhr in. (mm)	Luftaus- lass in. (mm)	Luftdurchsatz (6 bar) cfm (l/s)
CP 0077	152 (69)	23½ (600)	11 (279)	3, BSP (75)	2½, NPT (62,5)	¾, NPT (20)	1, NPT (25)	85 (40)

## Erklärung zur Geräuschemission

Garantierter Schallleistungspegel **L<sub>w</sub>** gemäß EN ISO 3744 in Übereinstimmung mit der Richtlinie 2000/14/EG. Schalldruckpegel **L<sub>p</sub>** gemäß EN ISO 11203.

Die angegebenen Werte wurden durch Bauartprüfung im Labor entsprechend den angegebenen Richtlinien bzw. Normen ermittelt und eignen sich nur für den Vergleich mit den angegebenen Werten anderer Werkzeuge, die entsprechend den gleichen Richtlinien bzw. Normen ermittelt wurden. Die angegebenen Werte eignen sich nicht zur Verwendung in Risikoanalysen, denn die in individuellen Arbeitsumgebungen gemessenen Werte können höher sein. Die tatsächliche Belastung und das Verletzungsrisiko für den einzelnen Anwender hängen jeweils von der Arbeitsweise des Anwenders, vom bearbeiteten Material, von der Belastungsdauer, von der physischen Kondition des Anwenders und vom Zustand der Maschine ab.

Atlas Copco Construction Tools AB haftet nicht für Folgen, falls die genannten Werte anstelle der Werte verwendet werden, die der tatsächlichen Belastung entsprechen, hervorgehend aus einer individuellen Risikoanalyse in einer Arbeitsplatzsituation, die wir nicht beeinflussen können.

## Angaben zur Geräuschemission

Geräuschemission		
Angewandte Normen		
	Schalldruck EN ISO 11203	Schallleistung 2000/14/EG
Typ	<b>L<sub>p</sub></b> r=1m dB(A) bei 20 µPa	<b>L<sub>w</sub></b> garantiert dB(A) bei 1 pW
CP 0077	98	111

# EG-Konformitätserklärung

## EG-Konformitätserklärung (EG-Richtlinie 2006/42/EG)

Wir, die Atlas Copco Construction Tools AB, erklären hiermit, dass die nachfolgend aufgelisteten Maschinen die Bestimmungen der EG-Richtlinie 2006/42/EG (Maschinenrichtlinie) sowie die nachfolgend genannten harmonisierten Normen erfüllen.

Schlammpumpe	Garantierter Schalleistungspegel [dB(A)]	Gemessener Schalleistungspegel [dB(A)]	Pmax (bar)
CP 0077	111	109	6.2

### Folgende harmonisierte Normen wurden angewandt:

- ◆ EN 809:1998

### Folgende andere Normen wurden angewandt:

- ◆ 2000/14/EC, Appendix V

### Bevollmächtigter für die technische Dokumentation:

Per Forsberg  
 Atlas Copco Construction Tools AB  
 Dragonvägen 2  
 Kalmar

### Vizepräsident – Design und Entwicklung:

Erik Sigfridsson

### Hersteller:

Atlas Copco Construction Tools AB  
 Box 703  
 391 27 Kalmar  
 Sweden

### Ort und Datum:

Kalmar, 2012-06-30

**ESPAÑOL**

**Contenido**

**Introducción** ..... 45

**Acerca de las instrucciones de seguridad y de funcionamiento** ..... 45

**Instrucciones de seguridad** ..... 46

- Terminología de las señales de seguridad..... 46
- Precauciones y cualificaciones del personal..... 46
- Instalación, precauciones..... 46
- Funcionamiento, precauciones..... 47
- Mantenimiento, precauciones..... 48
- Almacenaje, precauciones..... 48

**Visión general** ..... 49

- Diseño y funcionamiento..... 49
- Piezas principales..... 49
- Etiquetas..... 49

**Instalación** ..... 50

- Preparación..... 50
- Instalación fija..... 50
- Mangueras y conexiones..... 50
- Métodos para evitar la congelación..... 50
- Lubricación..... 51

**Funcionamiento** ..... 51

- Preparaciones antes de la puesta en marcha..... 51
- Puesta en marcha y parada..... 51
- En funcionamiento..... 52

**Mantenimiento** ..... 52

- A diario..... 52
- Mantenimiento periódico..... 52
- Pares de apriete..... 53

**Almacenaje** ..... 53

- Preparación de la bomba para su almacenamiento..... 53

**Desechar** ..... 53

**Especificaciones técnicas** ..... 54

- Datos de la máquina..... 54
- Declaración de ruidos ..... 54
- Datos sobre el ruido..... 54

**Declaración CE de conformidad** ..... 55

- Declaración CE de conformidad (Directiva 2006/42/CE)..... 55

## Introducción

Gracias por elegir productos de la marca Chicago Pneumatic. Durante más de un siglo, la marca Chicago Pneumatic ha sido la representación del rendimiento y la innovación en la industria de las herramientas neumáticas.

Actualmente se encuentra en todo el mundo con una amplia gama de herramientas neumáticas e hidráulicas, como por ejemplo martillos, perforadoras, cinceladores, excavadoras de tierra, picos, remachadoras, desbastadoras, bombas y muchas otras herramientas.

La marca Chicago Pneumatic se relaciona con productos potentes y fiables, fáciles de mantener y con una buena relación calidad-precio.

Para obtener más información, visite [www.cp.com](http://www.cp.com)

Atlas Copco Construction Tools AB  
Box 703  
391 27 Kalmar  
Sweden

## Acerca de las instrucciones de seguridad y de funcionamiento

El objetivo de estas instrucciones es proporcionarle los conocimientos necesarios para saber utilizar la bomba de manera eficiente y segura. Las instrucciones también aconsejan e informan sobre cómo llevar a cabo el mantenimiento regular de la bomba.

Antes de utilizar la bomba por primera vez, debe leer cuidadosamente y entender todas estas instrucciones.

# Instrucciones de seguridad

Para reducir el riesgo de que usted u otras personas padezcan lesiones graves o la muerte, lea las Instrucciones de seguridad y funcionamiento antes de instalar, usar, reparar o cambiar la máquina o de realizar su mantenimiento.

Exponga estas instrucciones de seguridad y funcionamiento en las zonas de trabajo, proporcione copias a los empleados y asegúrese de que todos las lean antes de utilizar o reparar la máquina.

Además, el operario o su empleador deberá evaluar los riesgos específicos que pueden surgir como resultado del uso de la máquina.

## Terminología de las señales de seguridad

Los términos de seguridad Peligro, Atención y Cuidado tienen los siguientes significados:

<b>PELIGRO</b>	Indica una situación de peligro que, si no se evita, ocasionará la muerte o lesiones graves.
<b>ADVERTENCIA</b>	Indica una situación de peligro que, si no se evita, podría ocasionar la muerte o lesiones graves.
<b>ATENCIÓN</b>	Indica una situación de peligro que, si no se evita, podría ocasionar lesiones menores o moderadas.

## Precauciones y cualificaciones del personal

Sólo personas cualificadas y debidamente formadas pueden utilizar u ocuparse del mantenimiento de la máquina. Deben poder manejar físicamente el volumen, el peso y la potencia de la herramienta. Utilice siempre su sentido común y buen juicio.

### Equipo de protección personal

Utilice siempre equipo de protección autorizado. Los operarios y el resto del personal del área de trabajo deben llevar, como mínimo, el siguiente equipo de protección:

- > Casco de protección
- > Protección auditiva
- > Protección ocular resistente a los impactos con protección lateral
- > Protección respiratoria, cuando sea necesario
- > Guantes protectores

- > Botas protectoras adecuadas
- > Una bata de trabajo adecuada o prenda similar (no holgada) que cubra los brazos y las piernas.

### Drogas, alcohol y medicación

#### ▲ ADVERTENCIA Drogas, alcohol y medicación

Las drogas, el alcohol y la medicación pueden alterar la capacidad de juicio y el poder de concentración. Las malas reacciones y las valoraciones incorrectas pueden provocar accidentes graves o la muerte.

- ▶ Nunca utilice la máquina cuando esté cansado o bajo los efectos de drogas, alcohol o medicinas.
- ▶ Nadie que esté bajo los efectos de drogas, alcohol o medicinas podrá manejar la máquina.

## Instalación, precauciones

### ▲ PELIGRO Manguera de aire suelta

Una manguera de aire comprimido suelta puede asestar latigazos y ocasionar lesiones o incluso la muerte. Para reducir este riesgo:

- ▶ Compruebe que la manguera de aire comprimido y las conexiones no estén dañadas y sustitúyalas si es necesario.
- ▶ Compruebe que todas las conexiones de aire comprimido estén debidamente conectadas.
- ▶ No arrastre nunca una máquina neumática por la manguera del aire.
- ▶ No intente nunca desconectar una manguera de aire comprimido que esté presurizada. En primer lugar, apague el suministro de aire comprimido del compresor y, a continuación, purgue la máquina activando el dispositivo de puesta en marcha y parada.
- ▶ No utilice acoplamiento rápidos de desconexión en la entrada de la herramienta. Utilice fijaciones roscadas de la manguera de acero endurecido (o de otro material con una resistencia de choque similar).
- ▶ Siempre que se utilicen acoplamiento universales roscados (acoplamiento de garras), recomendamos que se coloquen pasadores de seguridad y se utilicen cables con válvula de seguridad para proteger la manguera ante posibles fallos de conexión de la manguera a la herramienta y entre mangueras.
- ▶ No dirija nunca una manguera de aire comprimido hacia sí mismo ni a otras personas. Para evitar el riesgo de lesiones, no utilice nunca una manguera de aire comprimido para limpiar el polvo, la suciedad, etc. de la ropa.

### ▲ **ADVERTENCIA** Latiguo de las mangueras de descarga

Si se afloja una manguera de descarga, puede dar latigazos, y la manguera o los chorros de líquido pueden golpear al operario, causando lesiones personales o la muerte. Para reducir este riesgo:

- ▶ Elimine siempre los pliegues antes de arrancar la bomba. Si la manguera de descarga está doblada, puede escurrirse de las manos del operario.
- ▶ Asegúrese siempre de que las conexiones de la manguera de descarga estén correctamente acopladas.
- ▶ Compruebe que la manguera de descarga y las conexiones no estén dañadas y sustitúyalas si es necesario.
- ▶ Asegúrese siempre de que el extremo de la salida de la manguera de descarga esté correctamente fijada.

### ▲ **ADVERTENCIA** Peligros de la instalación fija

La bomba está diseñada sobre todo para su uso en aplicaciones temporales (móviles). Si se utiliza la bomba en una instalación fija, las conexiones entre la bomba y el tubo se pueden aflojar y los chorros de líquido u otras partículas pueden golpear al operario y provocar lesiones corporales o la muerte.

- ▶ Utilice siempre una manguera flexible en las conexiones entre la bomba y el tubo.
- ▶ Nunca sujete la máquina por la manguera.

## Funcionamiento, precauciones

### ▲ **PELIGRO** Peligro de explosión

Si una bomba entra en contacto con explosivos o gases explosivos, se podría producir una explosión. Al usar ciertos materiales en las piezas de la máquina, pueden producirse chispas y fuego. Las explosiones producirán lesiones graves o la muerte.

- ▶ Nunca utilice la máquina en un entorno explosivo.

### ▲ **ADVERTENCIA** Bomba caliente

Si se está bombeando un líquido caliente, la bomba se puede calentar. Si se toca una bomba caliente, puede provocar quemaduras y lesiones corporales.

- ▶ Evite tocar la bomba si se está bombeando un líquido caliente.

### ▲ **ADVERTENCIA** Peligros de los líquidos inflamables

Si se bombea un líquido inflamable, los humos pueden explotar si se encienden. Esto puede provocar lesiones corporales o la muerte.

- ▶ Nunca bombee líquidos inflamables.

### ▲ **ADVERTENCIA** Peligros de la parada de emergencia

Si se produce una situación de emergencia durante el bombeo y la bomba no se para inmediatamente, pueden producirse lesiones corporales o la muerte.

- ▶ Monte una válvula de conexión/desconexión en la manguera del suministro de aire, lo más cerca posible de la bomba.
- ▶ Active la válvula de conexión/desconexión si se produce una situación de emergencia.

### ▲ **ADVERTENCIA** Peligros del nivel del medio bombeado

Si el nivel del medio bombeado está por encima del nivel del silenciador, el medio bombeado se mezclará con el aire de escape y podrán producirse lesiones corporales o la muerte.

- ▶ No coloque nunca la bomba de forma que el nivel del medio bombeado esté por encima del nivel del silenciador.

### ▲ **ADVERTENCIA** Movimientos inesperados

Cuando está funcionando, la bomba puede moverse de forma inesperada. Los accesorios pueden romperse por fatiga después de un cierto tiempo de uso. Los movimientos repentinos e inesperados pueden provocar lesiones. Asimismo, si alguien pierde el equilibrio o resbala, podría sufrir lesiones.

- ▶ Preste atención para no perder el equilibrio al sumergir o sacar la bomba del líquido y utilice un dispositivo de elevación adecuado.
- ▶ Inspeccione siempre el equipo antes de usarlo. No utilice el equipo si cree que puede estar dañado.
- ▶ Compruebe que la bomba y sus accesorios estén limpios y que no tengan grasa ni aceite.
- ▶ Las piezas móviles pueden provocar aplastamientos y cortes; no compruebe nunca los diámetros interiores ni los conductos con las manos o los dedos.
- ▶ No golpee nunca ni maltrate el equipo.
- ▶ Compruebe regularmente el desgaste de los accesorios y compruebe si hay signos de daños o grietas visibles.
- ▶ Preste atención y fíjese en lo que está haciendo.

**▲ ADVERTENCIA    Proyectiles**

Durante el funcionamiento, las partículas o los chorros de líquido pueden actuar como proyectiles y provocar daños personales al golpear al operario o a otras personas. Para reducir estos riesgos:

- ▶ Utilice un equipo de protección personal aprobado y un casco de seguridad, incluida la protección ocular contra impactos con protección lateral.
- ▶ Asegúrese de que las personas no autorizadas no entren en la zona de trabajo.
- ▶ Mantenga el lugar de trabajo libre de objetos extraños.
- ▶ Los chorros de líquido del tubo de descarga pueden contener partículas sólidas impulsadas a gran velocidad. No dirija el chorro de líquido hacia otras personas.

**▲ ADVERTENCIA    Peligros de deslizamiento, desconexión y caída**

Hay riesgo de deslizamiento, desconexión o caída, por ejemplo desconexión de las mangueras u otros objetos. El deslizamiento, la desconexión y la caída pueden provocar lesiones. Para reducir este riesgo:

- ▶ Asegúrese siempre de que no haya mangueras ni otros objetos que obstaculicen su paso o el de otras personas.
- ▶ Asegúrese de estar siempre en una posición estable, con los pies separados a la misma distancia que la anchura de los hombros, y con el peso del cuerpo equilibrado.

**▲ PELIGRO        Riesgos relacionados con la electricidad**

La máquina no está aislada eléctricamente. Si la máquina entra en contacto con la electricidad, podría provocar lesiones graves o la muerte.

- ▶ No utilice nunca la máquina cerca de un cable eléctrico ni otra fuente de electricidad.
- ▶ Compruebe que no haya cables u otras fuentes de electricidad ocultos en el área de trabajo.

**▲ ADVERTENCIA    Encendido involuntario**

El encendido involuntario de la máquina puede producir lesiones.

- ▶ Mantenga las manos alejadas del dispositivo de puesta en marcha y parada hasta que esté listo para arrancar la máquina.
- ▶ Sepa cómo apagar la máquina en caso de producirse una emergencia.
- ▶ Detenga inmediatamente la máquina en caso de interrupción de la alimentación.

**▲ ADVERTENCIA    Riesgos relacionados con el ruido**

Los altos niveles de ruido pueden producir pérdida de audición permanente e incapacitante y otros problemas tales como acúfenos (vibración, zumbido, silbido o ronroneo en los oídos). Para reducir los riesgos y evitar un aumento innecesario de los niveles de ruido:

- ▶ Es esencial hacer la evaluación del riesgo de estos peligros y la puesta en práctica de los controles adecuados.
- ▶ Maneje y conserve la máquina según lo recomendado en estas instrucciones.
- ▶ Utilice siempre protección para los oídos.

## **Mantenimiento, precauciones**

---

**▲ ADVERTENCIA    Modificación de la máquina**

Cualquier modificación de la máquina puede provocar daños corporales a usted y a otras personas.

- ▶ Nunca modifique la máquina. Una máquina modificada no estará cubierta por la garantía ni por la responsabilidad del producto.
- ▶ Utilice siempre piezas y accesorios originales.
- ▶ Cambie las piezas dañadas inmediatamente.
- ▶ Sustituya los componentes gastados con la debida antelación.

## **Almacenaje, precauciones**

---

- ◆ Guarde la máquina y las herramientas en un lugar seguro, fuera del alcance de los niños y bajo llave.



## Visión general

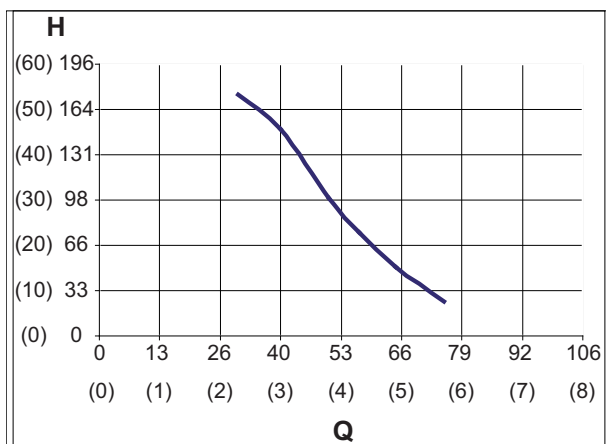
**Para reducir el riesgo de que usted u otras personas padezcan lesiones graves o la muerte, lea las Instrucciones de seguridad y funcionamiento antes de instalar, usar, reparar o cambiar la máquina o de realizar su mantenimiento.**

## Diseño y funcionamiento

La bomba para lodos CP 0077 está diseñada para sacar agua de fosos, zanjas y arquetas. También se puede utilizar como bomba industrial en excavaciones, perforación con inyección de agua sobre fragmentos de roca, bombeo de agua de mar y con determinados productos químicos corrosivos. No se recomienda bombear líquidos con una temperatura superior a 212 °F (100 °C). No está permitido ningún otro uso. CP 0077 está adaptada para cubrir distintas necesidades de caudal (Q) y carga de presión (H) (consulte el siguiente diagrama).

La bomba CP 0077 no es totalmente sumergible, lo que significa que no se puede sumergir en el medio bombeado, por debajo del nivel del silenciador. CP 0077 se puede utilizar fácilmente con agua que contenga sólidos de hasta el 15% de la masa total. También trabaja con partículas sólidas con tamaños de hasta 1" (25 mm) sin que se produzca obstrucción. La bomba CP 0077 es autocebadora.

El diagrama es válido a 6 bares (87 psi) y cuando se bombea desde el nivel de la placa base. El uso de una manguera de succión reducirá la carga de presión.

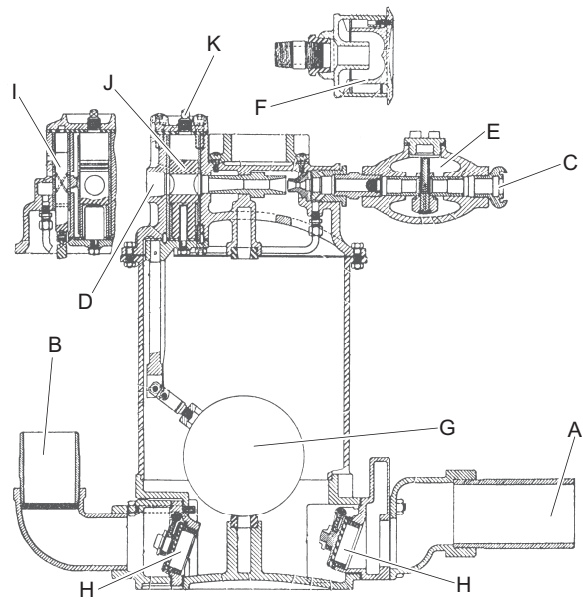


H: Altura feet (m)

Q: Caudal imp gal/min (l/s)

**AVISO** La capacidad de la bomba cambia y la tabla anterior no será exacta si se utiliza una presión de aire inferior a la recomendada, o si la viscosidad del líquido bombeado es distinta a la del agua.

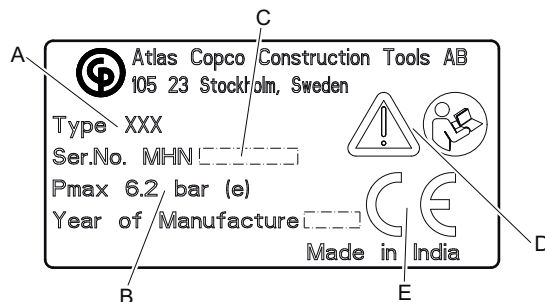
## Piezas principales



- A. Toma para líquidos
- B. Salida de descarga
- C. Toma de aire
- D. Salida de aire
- E. Engrasador
- F. Silenciador
- G. Flotador
- H. Válvula de control
- I. Válvula de mando
- J. Válvula de expulsión
- K. Tapón de la válvula de expulsión

## Etiquetas

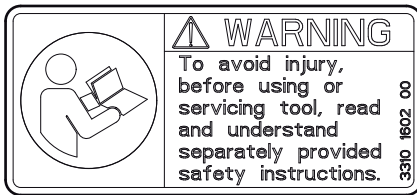
### Placa de datos



- A. Tipo de máquina
- B. Presión de aire comprimido máxima permitida
- C. Número de serie

- D. El símbolo de atención unido al símbolo del libro significa que el usuario debe leer las instrucciones de seguridad y de funcionamiento antes de usar la máquina por primera vez.
- E. El símbolo CE indica que la máquina tiene la aprobación de la CE. Consulte la declaración de la CE que se suministra con la máquina para obtener más información. Si el símbolo CE no está, significa que la máquina no tiene la aprobación de la CE.

### Etiqueta de seguridad



Para evitar lesiones, antes de usar o de reparar la herramienta, lea y comprenda las instrucciones de seguridad proporcionadas por separado.

## Instalación

### Preparación

Asegúrese siempre de que la bomba permanezca estable sobre una superficie llana.

Dependiendo de las condiciones de la obra, la bomba se puede instalar de varias formas.

Si hay una manguera de succión conectada a la toma para líquidos:

- ◆ No es necesario que la bomba esté parcialmente sumergida en el medio bombeado.
- ◆ Compruebe que el extremo abierto de la manguera de succión esté totalmente sumergido.
- ◆ El uso de una manguera de succión puede afectar negativamente a la carga de presión.

Si no se utiliza una manguera de succión:

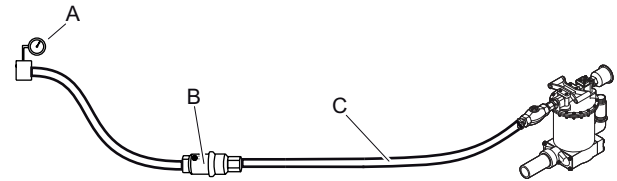
- ◆ Compruebe que la toma para líquidos de la bomba esté totalmente sumergida en el medio bombeado.

**AVISO** Nunca sumerja la bomba por debajo del nivel del silenciador en el medio bombeado. Cuando bombee desde un depósito o una presa, no deje nunca que el nivel del silenciador esté por debajo del nivel del líquido del depósito o de la presa.

## Instalación fija

La bomba está diseñada sobre todo para su uso en aplicaciones temporales (móviles). Si se utiliza la bomba en una instalación fija, asegúrese de que las conexiones entre la bomba y el tubo se hagan con una manguera flexible.

## Mangueras y conexiones



- A. Fuente de aire comprimido
- B. Separador de agua (opcional)
- C. Manguera de aire comprimido de un máximo de 10 feet (3 metros) entre el separador de agua y la máquina.
  - ◆ Compruebe que utiliza la presión correcta de funcionamiento recomendada, 87 psig (6 bar).
  - ◆ No debe sobrepasarse la presión máxima de aire admisible, 90 psig (6,2 bar).
  - ◆ Quite las impurezas de la manguera de aire comprimido antes de conectarla a la máquina.
  - ◆ escoja una manguera de tamaño adecuado de entre las opciones disponibles y conéctela a la salida del agua de la bomba. Para tener un caudal máximo en las bombas CP, se recomienda una manguera de 3 in. (76 mm).
  - ◆ Seleccione las dimensiones y la longitud correctas de la manguera de aire comprimido. Para mangueras con longitudes de hasta 100 feet (30 metros), debe utilizarse una manguera con un diámetro interno mínimo de  $\frac{3}{4}$  in. (19 mm). Si la longitud de la manguera es de 100 a 330 feet (30 a 100 metros), debe utilizarse una manguera con un diámetro interno mínimo de 1 in. (25 mm).

## Métodos para evitar la congelación

La bomba CP 0077 está equipada con un silenciador que está conectado a la salida del aire de escape.

Puede acumularse hielo en el silenciador cuando la temperatura ambiente es de 0-10 °C (32-50 °F) y la humedad relativa es alta.

Tome la siguiente medida para neutralizar el riesgo de formación de hielo:

- ◆ Utilice un separador de agua.

## Lubricación

Para tener un funcionamiento sin problemas, es necesaria la lubricación continua de la bomba. Antes de usar la máquina y después de cada ocho horas de servicio, llene el engrasador integrado con el aceite recomendado, y al mismo tiempo quite el tapón de la válvula de expulsión y llene la válvula de expulsión con 8 gotas de aceite recomendado; vea más adelante.

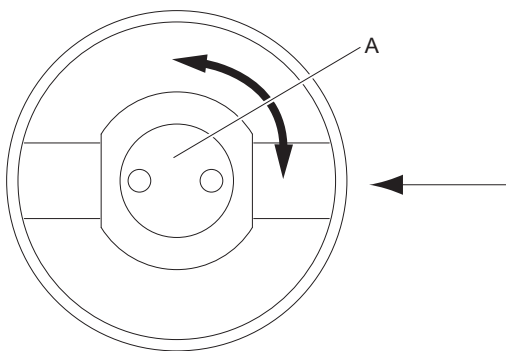
Lubricante	Margen de temperatura °F (°C)	Grado de viscosidad
Aceite para herramientas neumáticas	≤100 (≤38)	100-150 SUS (ISO VG 22-32)
Aceite para herramientas neumáticas	>100 (>38)	200-300 SUS (ISO VG 46-48)

La válvula de mando se debe engrasar en cada periodo de inspección con una grasa que contenga grafito.

### Ajuste del engrasador

Compruebe la lubricación sosteniendo un trozo de papel limpio delante de la salida del aire de escape mientras funciona la bomba. Después de unos cinco golpes de la bomba deben aparecer trazas de aceite en el papel.

Si es necesario ajustar, hágalo así:



- 1) Pare el motor.
- 2) Quite la tapa del cuerpo del engrasador.
- 3) Si se coloca el rociador de aceite (A) como indica la imagen anterior, el engrasador proporciona una lubricación completa.  
Si se gira 90° el rociador de aceite (A), el engrasador no proporciona lubricación.
- 4) Aumente o reduzca el caudal de aceite según sea necesario.

**AVISO** No cierre el caudal del todo, ya que la falta de lubricación provocaría rápidamente un fallo de la bomba.

## Funcionamiento

### ▲ ADVERTENCIA Encendido involuntario

El encendido involuntario de la máquina puede producir lesiones.

- ▶ Mantenga las manos alejadas del dispositivo de puesta en marcha y parada hasta que esté listo para arrancar la máquina.
- ▶ Sepa cómo apagar la máquina en caso de producirse una emergencia.
- ▶ Detenga inmediatamente la máquina en caso de interrupción de la alimentación.

## Preparaciones antes de la puesta en marcha

- > Limpie con aire la manguera del aire comprimido antes de conectarla a la bomba.
- > Si no se ha utilizado la bomba durante mucho tiempo, vierta aproximadamente 1 ¾ oz (5 cl) de aceite directamente en la toma de aire de la bomba. Se garantiza así una buena lubricación desde el principio.
- > Compruebe que no haya agua ni otras impurezas en el aire comprimido. Cuando se usa un silenciador es muy importante que el aire sea seco, ya que el silenciador aumenta el riesgo de formación de hielo.

## Puesta en marcha y parada

### ▲ ADVERTENCIA Latiguo de las mangueras de descarga

Si se afloja una manguera de descarga, puede dar latigazos, y la manguera o los chorros de líquido pueden golpear al operario, causando lesiones personales o la muerte. Para reducir este riesgo:

- ▶ Elimine siempre los pliegues antes de arrancar la bomba. Si la manguera de descarga está doblada, puede escurrirse de las manos del operario.
- ▶ Asegúrese siempre de que las conexiones de la manguera de descarga estén correctamente acopladas.
- ▶ Compruebe que la manguera de descarga y las conexiones no estén dañadas y sustitúyalas si es necesario.

- ▶ Asegúrese siempre de que el extremo de la salida de la manguera de descarga esté correctamente fijada.

**Puesta en marcha y parada**

- ◆ Encienda la bomba conectándola a la unidad de potencia.
- ◆ Pare la bomba desconectándola de la unidad de potencia.

**En funcionamiento**

- > Se debe hacer lo siguiente al iniciar cada turno:
  - > Apague el aire comprimido.
  - > Llene el engrasador con aceite.
  - > Compruebe que funciona la dosificación del aceite, sosteniendo un trozo de papel limpio delante de la salida del aire de escape. Después de unos cinco golpes de la bomba deben aparecer trazas de aceite en el papel.
  - > Si es necesario, ajuste la dosificación del aceite; consulte el apartado “Ajuste del engrasador”.
- > Si se deja que el líquido se congele dentro de la bomba, ésta puede dañarse.
- > La bomba puede funcionar en seco, pero de esta forma aumenta el consumo de aire.
- > Si se ha utilizado la bomba en agua corrosiva o contaminada, se deberá hacer funcionar en agua limpia durante unos minutos después del uso.
- > Si la bomba funciona pero descarga poco líquido, examine la válvula de control de admisión y limpie los objetos extraños que puedan hacer que válvula de control se quede abierta.

**Mantenimiento**

El mantenimiento regular es un requisito esencial para el uso seguro y eficaz de la máquina. Siga las instrucciones de mantenimiento detenidamente.

- ◆ Utilice sólo piezas originales. Cualquier daño o defecto originado por la utilización de piezas no autorizadas no estará cubierto por la garantía ni por la responsabilidad del producto.
- ◆ Al limpiar las piezas mecánicas con un disolvente, asegúrese de cumplir la normativa de salud y seguridad en el trabajo y de que haya la suficiente ventilación.
- ◆ Para realizar una reparación más completa de la máquina, acuda al taller autorizado más cercano.

**A diario**

Antes de hacer el mantenimiento de la bomba, apague siempre el suministro de aire. Luego desconecte la manguera de aire de la máquina.

- ◆ Limpie e inspeccione la máquina y sus funciones cada día antes de empezar a trabajar.
- ◆ Realice una inspección general para determinar si hay fugas o desperfectos.
- ◆ Compruebe que la boquilla de admisión de aire esté apretada y que el acoplamiento de garras no esté dañado.
- ◆ Cambie las piezas dañadas inmediatamente.
- ◆ Sustituya los componentes dañados o gastados en su momento.
- ◆ Asegúrese de que todos los equipos fijados y relacionados, tales como mangueras, separadores de agua y lubricadores estén en buen estado.

**Mantenimiento periódico**

Como cada aplicación es distinta, la frecuencia y el grado de mantenimiento se definen mejor basándose en el rendimiento anterior. Conservar un registro detallado del mantenimiento a partir del rendimiento anterior ayuda a determinar los siguientes intervalos de mantenimiento preventivos.

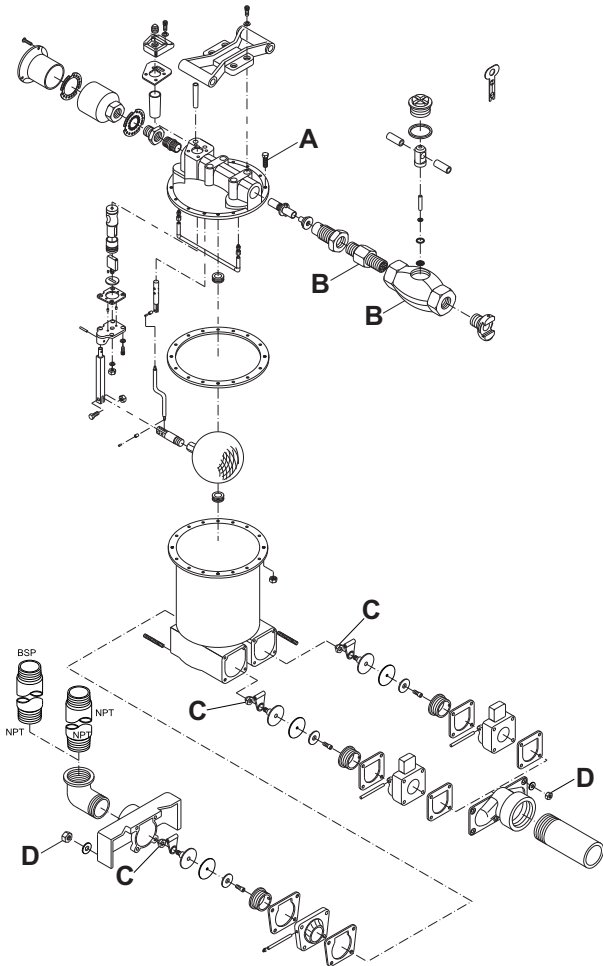
Mantenimiento periódico				
		Intervalo de tiempo, horas de la bomba		
Punto de control	El control afecta a	Cada 8	Cada 40	Cada 800*
Mangueras y conexiones	Fugas, daños	X		
Uniones roscadas	Estanqueidad		X	
Bomba, completa	-			X
Engrasador	Nivel de aceite, funcionamiento	X		
Válvula de expulsión	Llenar con 8 gotas de aceite	X		
Válvula de mando	Engrasada			X

\*Si el medio bombeado es muy abrasivo, se debe reducir el intervalo de tiempo a 400 horas.

La válvula de mando se debe engrasar con una grasa de buena calidad que contenga grafito.

En caso de avería o de menor rendimiento de la bomba, compruebe la causa y repare la avería. Las reparaciones se deben hacer en un taller.

## Pares de apriete



- A. Tornillo de tapa, 11,0-14,8 lbf/ft (15-20) Nm
- B. Boquilla y cuerpo del engrasador, 22,1-29,5 lbf/ft (30-40) Nm
- C. Tuerca de la válvula de control, 11,0-12,5 lbf/ft (15-17) Nm
- D. Tuerca, 22,9-25,1 lbf/ft (31-34) Nm

## Almacenaje

### Preparación de la bomba para su almacenamiento

- > Después del uso es importante lavar la bomba con un líquido limpio y neutro. Esto es especialmente importante si se ha utilizado para bombear líquidos ácidos, salinos o muy contaminados o agresivos.
- > Vierta aproximadamente 1 dl de aceite anticorrosivo directamente en la toma de aire de la bomba. Conecte la bomba al conducto de aire comprimido y hágala funcionar un par de segundos.
- > Después de lubricar con aceite anticorrosivo, se debe tapar la toma de aire.
- > Cuando tenga que volver a utilizar una bomba que haya estado almacenada, vierta un poco de aceite directamente en la toma de aire antes de encender la bomba.

## Desechar

Una máquina usada se debe manipular y desechar de tal forma que se pueda reciclar la mayor cantidad posible del material, haya la menor influencia negativa posible en el medio ambiente y se cumplan las restricciones municipales.

## Especificaciones técnicas

### Datos de la máquina

Tipo	Peso lb (kg)	Altura in. (mm)	Anchura in. (mm)	Toma de descarga in. (mm)	Salida de descarga in. (mm)	Toma de aire in. (mm)	Salida de aire in. (mm)	Consumo de aire (6 bares) cfm (l/s)
CP 0077	152 (69)	23½ (600)	11 (279)	3, BSP (75)	2½, NPT (62,5)	¾, NPT (20)	1, NPT (25)	85 (40)

### Declaración de ruidos

Nivel de potencia acústica garantizado **L<sub>w</sub>** según EN ISO 3744, de conformidad con la directiva 2000/14/CE.

Nivel de presión acústica **L<sub>p</sub>** según EN ISO 11203.

Estos valores declarados se obtuvieron mediante pruebas de laboratorio, de acuerdo con la directiva o las normas indicadas, y son adecuados para la comparación con los valores declarados de otras herramientas probadas de acuerdo con dicha directiva o dichas normas. Estos valores declarados no son adecuados para su uso en evaluaciones de riesgo, por lo que los valores medidos en los lugares de trabajo individuales pueden resultar superiores. Los valores de exposición reales y el riesgo de sufrir daños experimentados por cada usuario son únicos y dependen del modo en que éste trabaja, el material con el que utiliza la máquina, así como el tiempo de exposición y el estado físico del usuario y el estado de la máquina.

Nuestra empresa, Atlas Copco Construction Tools AB, no se hace responsable de las consecuencias de utilizar los valores declarados en lugar de valores que reflejen la exposición real, en una evaluación de riesgos individual en una situación del lugar de trabajo sobre la que no tenemos control.

### Datos sobre el ruido

Tipo	Ruido	
	Valores declarados	
	Presión acústica	Potencia acústica
	EN ISO 11203	2000/14/CE
	<b>L<sub>p</sub></b> r=1m dB(A) rel 20 µPa	<b>L<sub>w</sub></b> garantizado dB(A) rel 1 pW
CP 0077	98	111

# Declaración CE de conformidad

## Declaración CE de conformidad (Directiva 2006/42/CE)

Atlas Copco Construction Tools AB declara por la presente que las máquinas detalladas a continuación se ajustan a las disposiciones de la Directiva 2006/42/CE (Directiva sobre máquinas) y a las normas armonizadas mencionadas más abajo.

Bomba para lodos	Nivel de potencia acústica garantizado [dB(A)]	Nivel de potencia acústica medido [dB(A)]	Pmax (bares)
CP 0077	111	109	6.2

### Se han aplicado las siguientes normas armonizadas:

- ◆ EN 809:1998

### Se han aplicado también las siguientes otras normas:

- ◆ 2000/14/EC, Appendix V

### Representante autorizado para la documentación técnica:

Per Forsberg  
 Atlas Copco Construction Tools AB  
 Dragonvägen 2  
 Kalmar

### Vicepresidente de diseño y desarrollo:

Erik Sigfridsson

### Fabricante:

Atlas Copco Construction Tools AB  
 Box 703  
 391 27 Kalmar  
 Sweden

### Lugar y fecha:

Kalmar, 2012-06-30

**PORTUGUÊS****Índice**

<b>Introdução</b> .....	57
<b>Acerca das instruções de segurança e operação</b> .....	57
<b>Instruções de segurança</b> .....	58
Palavras de avisos de segurança.....	58
Precauções e habilitações pessoais.....	58
Instalação, precauções.....	58
Operação, precauções.....	59
Manutenção, precauções.....	60
Armazenamento, precauções.....	60
<b>Visão geral</b> .....	61
Concepção e função.....	61
Peças principais.....	61
Autocolantes.....	61
<b>Instalação</b> .....	62
Preparação.....	62
Instalação fixa.....	62
Mangueiras e ligações.....	62
Métodos para evitar o congelamento.....	62
Lubrificação.....	63
<b>Operação</b> .....	63
Preparações antes de arrancar.....	64
Arranque e paragem.....	64
Funcionamento.....	64
<b>Manutenção</b> .....	64
Diariamente.....	65
Manutenção periódica.....	65
Binários de aperto.....	65
<b>Armazenamento</b> .....	66
Preparar a bomba para armazenamento.....	66
<b>Abate</b> .....	66
<b>Dados técnicos</b> .....	67
Dados da máquina.....	67
Declaração de ruído .....	67
Dados de ruído.....	67
<b>Declaração de Conformidade da CE</b> .....	68
Declaração de Conformidade da CE (Directiva da CE 2006/42/CE).....	68



## Introdução

Obrigado por escolher os produtos da marca Chicago Pneumatic. Por mais de um século, a marca Chicago Pneumatic tem representado desempenho e inovação na indústria das ferramentas pneumáticas.

Hoje a marca encontra-se em todo o mundo com uma gama de ferramentas pneumáticas e hidráulicas que inclui martelos demolidores, perfuradores de rocha, escarificadores, escavadoras de argila, picadores e extractores, arrancadores de rebites, bombas e muito mais.

A marca Chicago Pneumatic está associada a produtos poderosos e confiáveis que são fáceis de manter e que justificam o investimento.

Para mais informações, visite [www.cp.com](http://www.cp.com)

Atlas Copco Construction Tools AB  
Box 703  
391 27 Kalmar  
Sweden

## Acerca das instruções de segurança e operação

O objectivo das instruções é dar-lhe conhecimentos sobre como utilizar a bomba de um modo eficiente e seguro. As instruções dão-lhe também conselhos e indicações sobre como efectuar manutenções regulares à bomba.

Antes de utilizar a bomba pela primeira vez tem obrigatoriamente que ler estas instruções cuidadosamente e compreendê-las na sua totalidade.

## Instruções de segurança

Para reduzir o risco de ferimentos graves ou morte, para si próprio ou para outros, leia e compreenda as instruções de Segurança e operação antes de instalar, operar, reparar, fazer manutenção ou mudar acessórios na máquina.

Afixe estas instruções de Segurança e operação nos locais de trabalho, forneça cópias aos empregados, e certifique-se de que todos lêem as instruções de Segurança e operação antes de operar a máquina, ou de prestar assistência à máquina.

Para além disso, o operador ou o empregador do operador deve avaliar os riscos específicos que podem estar presentes em resultado de cada utilização da máquina.

## Palavras de avisos de segurança

As palavras de avisos de segurança Perigo, Atenção e Cuidado têm os seguintes significados:

<b>PERIGO</b>	Indica uma situação perigosa, a qual, se não for evitada, irá provocar a morte ou ferimentos graves.
<b>ATENÇÃO</b>	Indica uma situação perigosa, a qual, se não for evitada, poderá provocar a morte ou ferimentos graves.
<b>CUIDADO</b>	Indica uma situação perigosa, a qual, se não for evitada, poderá provocar ferimentos ligeiros ou moderados.

## Precauções e habilitações pessoais

A operação ou manutenção da máquina só pode ser feita por pessoal com as habilitações e a formação necessárias. Este pessoal tem que ser fisicamente capaz de manusear o volume, o peso e a potência da ferramenta. Faça sempre uso do seu bom senso e da sua capacidade de avaliação das situações.

### Equipamento pessoal de protecção

Use sempre equipamento de protecção aprovado. Os operadores, bem como todas as outras pessoas que se encontrem na zona de trabalho, devem usar equipamento de protecção, incluindo, no mínimo:

- > Capacete protector
- > Protecção auricular
- > Protecção para os olhos, resistente ao impacto e com protecção lateral
- > Protecção respiratória, quando necessário

- > Luvas protectoras
- > Botas protectoras adequadas
- > Fato de macaco de trabalho adequado, ou vestuário semelhante (não roupas largas) que cubra os braços e as pernas.

### Drogas, álcool ou medicamentos

#### ▲ ATENÇÃO Drogas, álcool ou medicamentos

Drogas, álcool ou medicamentos podem reduzir a sua capacidade de avaliação e de concentração. Reacções lentas e avaliações incorrectas podem provocar acidentes graves ou morte.

- ▶ Nunca use a máquina quando estiver cansado ou se tiver tomado drogas, álcool ou medicamentos.
- ▶ Ninguém que tenha tomado drogas, álcool ou medicamentos pode operar a máquina.

## Instalação, precauções

#### ▲ PERIGO Chicotada das mangueiras de ar

Um mangueira de ar comprimido que se solte pode causar ferimentos pessoais ou morte. Para reduzir este risco:

- ▶ Certifique-se de que as mangueiras de ar comprimido e as ligações não estão danificadas, e substitua-as se necessário.
- ▶ Certifique-se de que as mangueiras de ar comprimido e as ligações estão bem presas.
- ▶ Nunca transporte uma máquina pneumática segurando-a pela mangueira de ar.
- ▶ Nunca tente tirar uma mangueira de ar comprimido que esteja pressurizada. Primeiro, deve desligar a alimentação de ar comprimido directamente no compressor e, em seguida, deve purgar a máquina, activando o dispositivo de activação e desactivação.
- ▶ Não use ligações de desacoplamento rápido à entrada da ferramenta. Use peças de encaixe roscadas para mangueira, em aço endurecido (ou num material com uma resistência ao choque equivalente).
- ▶ Sempre que forem usadas ligações de acoplamento universal de torcer (ligações de acoplamento de gancho), recomendamos que sejam instalados pinos de travamento e que sejam usados cabos de segurança anti-chicoteamento como salvaguarda contra possíveis falhas da mangueira à máquina, ou de mangueira a mangueira.

- ▶ Nunca aponte uma mangueira de ar comprimido a si próprio ou a outra pessoa. Para evitar o risco de ferimentos, nunca utilize ar comprimido para soprar, por exemplo, poeiras, sujeira, etc. das suas roupas.

### ▲ ATENÇÃO Mangueira de descarga a chicotear

Uma mangueira de descarga que se solte pode chicotear livremente, e a mangueira ou os jactos de líquido podem atingir o operador e causar ferimentos ou morte. Para reduzir este risco:

- ▶ Elimine sempre os retorcimentos antes de dar arranque à bomba. Se a mangueira de descarga estiver torcida, pode ser forçada a sair das mãos do operador.
- ▶ Certifique-se sempre de que as ligações da mangueira de descarga estão correctamente ligadas.
- ▶ Certifique-se de que a mangueira de descarga e as respectivas ligações não estão danificadas, e substitua-as se necessário.
- ▶ Certifique-se sempre de que a extremidade de saída da mangueira de descarga está correctamente em segurança.

### ▲ ATENÇÃO Perigos da instalação fixa

A bomba destina-se principalmente a ser usada em aplicações temporárias (móveis). Se a bomba for usada numa instalação fixa, as ligações entre a bomba e a tubagem podem ficar frouxas e jactos de líquido ou outras partículas podem atingir o operador, causando ferimentos ou morte.

- ▶ Use sempre uma mangueira flexível nas ligações entre a bomba e a tubagem.
- ▶ Nunca pendure a bomba pela respectiva mangueira.

## Operação, precauções

### ▲ PERIGO Perigo de explosão

Se uma bomba entrar em contacto com materiais explosivos ou com gases explosivos, poderá ocorrer uma explosão. Quando usar certos materiais em peças da máquina, pode ocorrer faíscas e ignição. As explosões podem provocar ferimentos graves ou morte.

- ▶ Nunca opere a máquina num ambiente explosivo.

### ▲ ATENÇÃO Bomba quente

Se estiver a ser bombeado líquido quente, então a bomba pode ficar quente. Tocar numa bomba quente pode causar queimaduras e ferimentos.

- ▶ Evite tocar na bomba se estiver a ser bombeado líquido quente.

### ▲ ATENÇÃO Perigos de líquidos inflamáveis

Se estiver a ser bombeado um líquido inflamável, então os vapores podem explodir se houver ignição. Isto pode causar ferimentos pessoais ou morte.

- ▶ Nunca bombeie líquidos inflamáveis.

### ▲ ATENÇÃO Perigos da paragem de emergência

Se acontecer uma situação de emergência durante o bombeamento, e se a bomba não for parada imediatamente, então podem ocorrer ferimentos ou morte.

- ▶ Instale uma válvula de ligar/desligar na mangueira flexível de abastecimento de ar comprimido, o mais perto possível da bomba.
- ▶ Se acontecer uma situação de emergência, active a válvula de ligar/desligar.

### ▲ ATENÇÃO Perigo de nível do líquido bombeado

Se o nível do líquido bombeado estiver acima do nível do silenciador, então o líquido bombeado será misturado com o ar de escape e poderão ocorrer ferimentos ou morte.

- ▶ Nunca posicione a bomba de tal maneira que o nível do líquido bombeado fique acima do nível do silenciador.

### ▲ ATENÇÃO Movimentos inesperados

Quando a bomba está em uso, pode mover-se de forma inesperada. Os acessórios podem partir-se devido a fadiga depois de um certo tempo de utilização. Movimentos súbitos e inesperados podem causar ferimentos. Para além disso, se perder o equilíbrio ou escorregar, isso poderá provocar ferimentos.

- ▶ Preste atenção para não perder equilíbrio quando estiver a mergulhar a bomba no líquido ou a puxá-la para fora do líquido: use equipamento de elevação adequado.
- ▶ Inspeccione sempre o equipamento antes de o usar. Nunca use o equipamento se suspeitar que está danificado.
- ▶ Certifique-se de que a bomba e o acessório estão limpos e sem massa consistente nem óleo.
- ▶ As peças em movimento podem esmagar e cortar, nunca verifique furos ou passagens com os seus dedos ou as suas mãos.
- ▶ Nunca bata com a bomba nem a maltrate.
- ▶ Verifique regularmente se não há desgaste nos acessórios, e procure sinais de danos ou rachas visíveis.
- ▶ Preste atenção e olhe para aquilo que está a fazer.

**▲ ATENÇÃO Projécteis**

Durante a operação partículas ou jactos de líquido poderão transformar-se em projécteis e causar ferimentos ao atingir o operador ou outras pessoas. Para reduzir estes riscos:

- ▶ Use equipamento pessoal de protecção e capacete de segurança, incluindo protecção para os olhos que seja resistente ao impacto e que tenha protecção lateral.
- ▶ Certifique-se de que não há pessoas não autorizadas na zona de trabalho.
- ▶ Mantenha o local de trabalho livre de objectos estranhos.
- ▶ Os jactos de líquido saídos da mangueira de descarga podem conter sólidos que se movimentam a grande velocidade. Não aponte os jactos de líquido a outras pessoas.

**▲ ATENÇÃO Riscos de escorregar, tropeçar e cair**

Há o risco de escorregar ou tropeçar ou cair, por exemplo tropeçar nas mangueira ou noutros objectos. Escorregar ou tropeçar ou cair pode causar ferimentos. Para reduzir este risco:

- ▶ Certifique-se sempre de que não há nenhuma mangueira ou outros objectos no seu caminho ou no caminho de outra pessoa.
- ▶ Certifique-se sempre de que mantém uma posição estável, com os pés afastados à distância dos seus ombros, e mantendo o peso do corpo equilibrado.

**▲ PERIGO Perigo eléctrico**

A máquina não tem isolamento eléctrico. Se a máquina entrar em contacto com fontes de electricidade, isso pode provocar ferimentos graves ou morte.

- ▶ Nunca opere a máquina ao pé de qualquer cabo eléctrico, ou de outra fonte de electricidade.
- ▶ Certifique-se de que não existem cabos ocultos, ou quaisquer outras fontes de electricidade, na área de trabalho.

**▲ ATENÇÃO Arranque involuntário**

O arranque involuntário da máquina pode provocar ferimentos.

- ▶ Mantenha as mãos longe do dispositivo de arranque e paragem até estar pronto para dar arranque à máquina.
- ▶ Aprenda a como desligar a máquina em caso de emergência.
- ▶ Pare a máquina imediatamente em todos os casos de interrupção de alimentação.

**▲ ATENÇÃO Perigo de ruído**

Níveis de ruído altos podem causar perda de audição permanente e deficiência na audição, bem como outros problemas tais como tinnitus (campainhas, zumbidos, apitos ou barulhos surdos nos ouvidos). Para reduzir os riscos e prevenir um aumento desnecessário nos níveis de ruído:

- ▶ É essencial a avaliação de risco destes perigos e a implementação de controlos adequados.
- ▶ Opere e faça a manutenção da máquina conforme recomendado nestas instruções.
- ▶ Use sempre protecção para a audição.

## Manutenção, precauções

**▲ ATENÇÃO Modificação da máquina**

As modificações feitas à máquina poderão resultar em danos físicos para si ou terceiros.

- ▶ Nunca faça modificações à máquina. Máquinas modificadas não são cobertas pela garantia nem pela responsabilidade do produto.
- ▶ Use sempre peças e acessórios originais.
- ▶ Mude imediatamente quaisquer peças danificadas.
- ▶ Substitua atempadamente os componentes desgastados.

## Armazenamento, precauções

- ◆ Guarde a máquina e as ferramentas num local seguro, fora do alcance de crianças e trancado.

## Visão geral

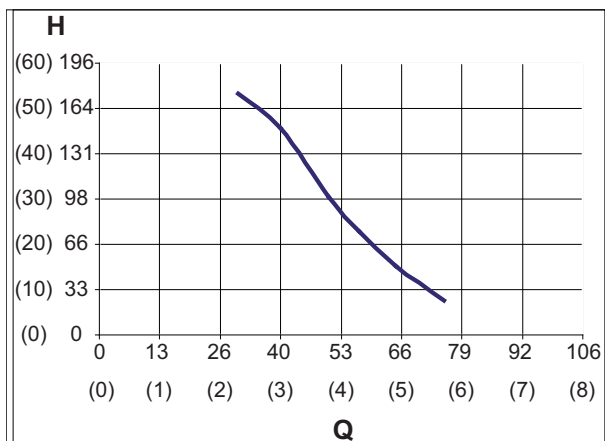
**Para reduzir o risco de ferimentos graves ou morte para si ou para terceiros, antes de usar a máquina leia a secção das Instruções de Segurança, que está nas páginas anteriores deste manual.**

## Concepção e função

A bomba de lamas CP 0077 destina-se a retirar água de trincheiras, valas e poços de limpeza. Também pode ser usada como bomba industrial em escavações, aplicações de perfuração molhada contendo fragmentos de rocha, bombeamento de água do mar, e para certos produtos químicos corrosivos. Não é recomendado bombear nenhum líquido com uma temperatura acima dos 100 °C (212 °F). Não é permitido outro tipo de uso. A CP 0077 está adaptada para dar resposta a necessidades diferentes em relação a caudal (Q) e altura estática (H) (ver o diagrama abaixo).

A bomba CP 0077 não é totalmente submersível, o que significa que não pode trabalhar totalmente mergulhadas no líquido a ser bombeado, abaixo do nível do silenciador. A CP 0077 pode lidar facilmente com água contendo sólidos até 15% da massa total. Também pode lidar facilmente com partículas sólidas até 1" (25 mm) de diâmetro sem causar nenhum bloqueio. A bomba CP 0077 é auto-escorvável.

O diagrama é válido a 6 bar (87 psi) e ao bombear a partir do nível da placa de base. A utilização de uma mangueira de sucção irá diminuir a altura estática possível.

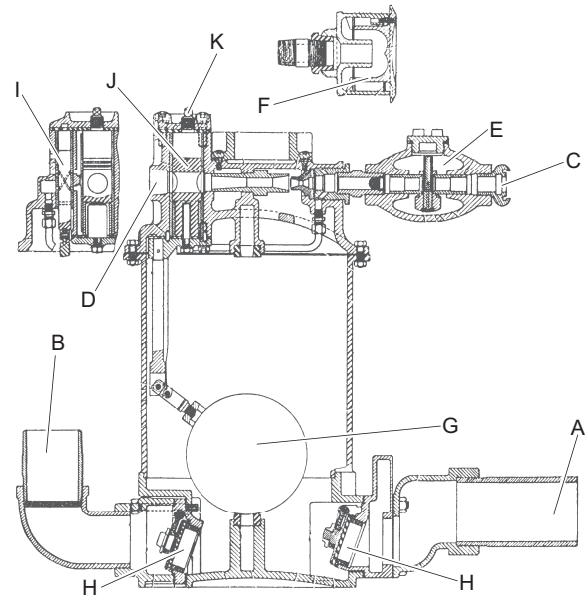


H: Altura estática em feet (m)

Q: Caudal em imp gal/min (l/s)

**AVISO** Se for usada uma pressão de ar inferior à recomendada, ou se a viscosidade do líquido bombeado for diferente da viscosidade da água, então a capacidade da bomba irá alterar-se e a tabela acima não será exacta.

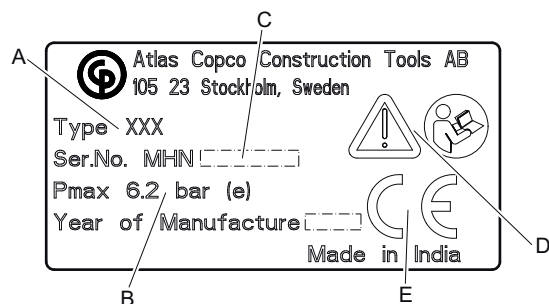
## Peças principais



- A. Entrada de líquido
- B. Saída de descarga
- C. Entrada de ar
- D. Saída de ar
- E. Lubrificador
- F. Silenciador
- G. Flutuador
- H. Válvula de retenção
- I. Válvula de controlo
- J. Válvula do ejector
- K. Bujão da válvula do ejector

## Autocolantes

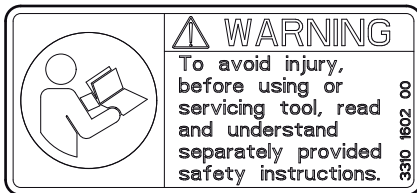
### Placa de dados



- A. Tipo de máquina
- B. Pressão máxima permitida de ar comprimido
- C. Número de série

- D. O símbolo de atenção, juntamente com o símbolo de livro, significa que o utilizador tem que ler as instruções de segurança e operação antes de poder utilizar o equipamento pela primeira vez.
- E. O símbolo CE significa que a máquina está aprovada pela CE. Consulte a Declaração CE que é fornecida com o equipamento para obter mais informações. Se o símbolo CE não estiver presente, isso significa que a máquina não está aprovada pela CE.

### Autocolante de segurança



Para evitar ferimentos, antes de operar ou fazer manutenção na ferramenta, leia e compreenda as instruções de segurança, fornecidas em separado.

## Instalação

### Preparação

Certifique-se sempre de que a bomba assenta de forma estável numa superfície horizontal.

Dependendo das condições do local dos trabalhos, a bomba pode ser instalada de formas diferentes.

Se for ligada uma mangueira de sucção à entrada de líquido:

- ◆ A bomba não precisa de estar parcialmente mergulhada no líquido a ser bombeado.
- ◆ Certifique-se de que a extremidade aberta da mangueira de sucção está completamente mergulhada.
- ◆ A utilização de uma mangueira de sucção pode afectar negativamente a altura estática.

Se não for usada uma mangueira de sucção:

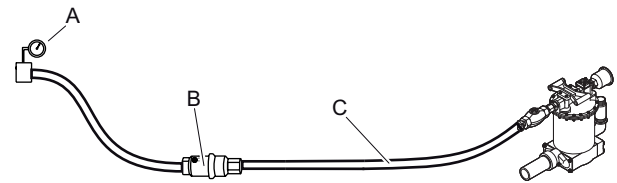
- ◆ Certifique-se de que a entrada de líquido da bomba está completamente mergulhada no líquido a ser bombeado.

**AVISO** Nunca mergulhe a bomba abaixo do nível do silenciador, dentro do líquido a ser bombeado. Ao bombear de dentro de um depósito ou de uma represa, nunca deixe o nível do silenciador ficar abaixo do nível de líquido dentro do depósito ou da represa.

## Instalação fixa

A bomba destina-se principalmente a ser usada em aplicações temporárias (móveis). Se a bomba for usada numa instalação fixa, certifique-se de que as ligações entre a bomba e a tubagem são feitas com uma mangueira flexível.

## Mangueiras e ligações



- A. Gerador de ar comprimido
  - B. Separador de água (opcional)
  - C. Máx. de 10 feet (3 metros) de mangueira de ar comprimido entre o separador de água e o equipamento.
- ◆ Certifique-se de que está a utilizar a pressão de operação correcta e recomendada, de 87 psig (6 bar).
  - ◆ A pressão de ar máxima permitida, de 90 psig (6,2 bar), não pode nunca ser excedida.
  - ◆ Sobre quaisquer impurezas para fora da mangueira de ar comprimido antes de a ligar à máquina.
  - ◆ Escolha um tamanho de mangueira adequado de entre as opções disponíveis, e ligue-a à saída de água na bomba. Para obter o caudal máximo com as bombas CP, é recomendada uma mangueira de 3 in. (76 mm).
  - ◆ Seleccione o diâmetro e o comprimento correctos para a mangueira de ar comprimido. Para comprimentos até 100 feet (30 metros), deverá ser utilizada uma mangueira com um diâmetro interno mínimo de 3/4 in. (19 mm). Se a mangueira tiver entre 100 e 330 feet (30 e 100 metros) de comprimento, então deverá ser utilizada uma mangueira com um diâmetro interno mínimo de 1 in. (25 mm).

## Métodos para evitar o congelamento

A bomba CP 0077 está dotada de um silenciador aplicado na saída do ar de escape.

Pode ocorrer a formação de gelo no silenciador quando a temperatura ambiente for de 0-10°C (32-50 °F) e a humidade relativa for elevada.

Tome a seguinte medida para neutralizar ainda mais o risco de formação de gelo:

- ◆ Use um separador de água.

## Lubrificação

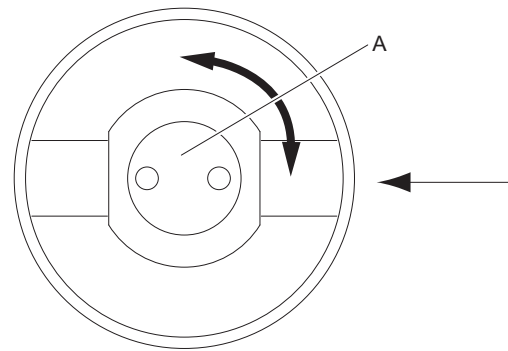
Para a operação sem problemas, é necessária a lubrificação contínua da bomba. Antes da utilização e depois de cada 8 horas de serviço, encha o lubrificador integrado com óleo do tipo recomendado e, ao mesmo tempo, desmonte o tampão da válvula do ejector e encha a válvula do ejector com 8 gotas de óleo do tipo recomendado (ver abaixo).

Lubrificante	Temperatura de funcionamento °F (°C)	Grau de viscosidade
Óleo para ferramenta pneumática	≤100 (≤38)	100-150 SUS (ISO VG 22-32)
Óleo para ferramenta pneumática	>100 (>38)	200-300 SUS (ISO VG 46-48)

A válvula de controlo tem obrigatoriamente que ser lubrificada com uma massa consistente com grafite, a cada período de inspecção.

### Afinação do lubrificador

Certifique-se de que o doseador de óleo funciona, segurando uma folha de papel limpo à frente da saída do ar de escape, com a bomba em funcionamento. Depois de cerca de 5 bombadas da bomba, devem ser visíveis indícios de óleo no papel. Se for necessário, afine a dosagem de óleo da seguinte forma:



- 1) Dê paragem à bomba.
- 2) Tire o tampão do corpo do lubrificador.
- 3) Se o vaporizador de óleo (A) estiver posicionado conforme mostrado na figura acima, o lubrificador dá lubrificação máxima.

Se o vaporizador de óleo (A) for rodado 90°, então o lubrificador não dá nenhuma lubrificação.

- 4) Aumente ou diminua o caudal de óleo, conforme necessário.

**AVISO** Não corte o caudal de óleo completamente, porque a falta de lubrificação irá resultar rapidamente na avaria da bomba.

## Operação

### ▲ ATENÇÃO Arranque involuntário

O arranque involuntário da máquina pode provocar ferimentos.

- ▶ Mantenha as mãos longe do dispositivo de arranque e paragem até estar pronto para dar arranque à máquina.
- ▶ Aprenda a como desligar a máquina em caso de emergência.
- ▶ Pare a máquina imediatamente em todos os casos de interrupção de alimentação.

## Preparações antes de arrancar

- > Sopre quaisquer impurezas para fora da mangueira de ar comprimido antes de a ligar à máquina.
- > Se a bomba não tiver sido utilizada por um período de tempo mais prolongado, despeje cerca de 1<sup>3</sup>/<sub>4</sub> oz (5 cl) de óleo directamente na entrada de ar da bomba. Isto irá garantir uma boa lubrificação logo desde o início.
- > Certifique-se de que o ar comprimido está livre de água e de outras impurezas. É especialmente importante usar ar seco quando usar um silenciador, porque um silenciador aumenta o risco de formação de gelo.

## Arranque e paragem

### ▲ ATENÇÃO Mangueira de descarga a chicotear

Uma mangueira de descarga que se solte pode chicotear livremente, e a mangueira ou os jactos de líquido podem atingir o operador e causar ferimentos ou morte. Para reduzir este risco:

- ▶ Elimine sempre os retorcimentos antes de dar arranque à bomba. Se a mangueira de descarga estiver torcida, pode ser forçada a sair das mãos do operador.
- ▶ Certifique-se sempre de que as ligações da mangueira de descarga estão correctamente ligadas.
- ▶ Certifique-se de que a mangueira de descarga e as respectivas ligações não estão danificadas, e substitua-as se necessário.
- ▶ Certifique-se sempre de que a extremidade de saída da mangueira de descarga está correctamente em segurança.

### Arranque e paragem

- ◆ Dê arranque à bomba, ligando-a à unidade geradora pneumática.
- ◆ Dê paragem à bomba, desligando-a da unidade geradora pneumática.

## Funcionamento

- > As operações seguintes têm obrigatoriamente que ser executadas no início de cada turno de trabalho:
  - > Desligue o ar comprimido.
  - > Encha o lubrificador com óleo.
  - > Certifique-se de que o doseador de óleo funciona, segurando uma folha de papel limpo à frente da saída do ar de escape. Depois de cerca de 5 bombadas da bomba, devem ser visíveis indícios de óleo no papel.
  - > Afine a dosagem de óleo conforme necessário (veja a secção “Afinação do lubrificador”).
- > Se deixar que o líquido congele dentro da bomba, isso poderá danificar a bomba.
- > A bomba pode trabalhar a seco, mas isso irá aumentar o consumo de ar.
- > Se a bomba tiver sido usada em água corrosiva ou poluída, então tem obrigatoriamente que ser operada em água limpa durante alguns minutos depois da utilização.
- > Se a bomba funcionar mas a descarga de líquido for reduzida, inspeccione a válvula de entrada e limpe quaisquer corpos estranhos que possam estar a manter a válvula aberta.

## Manutenção

Fazer manutenção regular à máquina é essencial para que a máquina possa continuar a ser utilizada com eficiência e em segurança. Siga cuidadosamente as instruções de manutenção.

- ◆ Utilize só peças autorizadas. Quaisquer danos ou mau funcionamento causados pela utilização de peças não autorizadas não estão cobertos pela Garantia ou pela Responsabilidade Legal do Produto.
- ◆ Quando limpar peças mecânicas com solvente, cumpra os regulamentos apropriados de Saúde e Segurança, e certifique-se de que há ventilação suficiente.
- ◆ Para fazer uma grande revisão/reparação à máquina, contacte a sua oficina autorizada mais próxima.



## Diariamente

Antes de iniciar qualquer acção de manutenção na bomba, desligue sempre a alimentação de ar comprimido. Depois, remova a mangueira de ar do equipamento.

- ◆ Limpe e inspecione a máquina e o respectivo funcionamento todos os dias, antes de começar a trabalhar.
- ◆ Faça uma inspecção geral, procurando fugas e danos.
- ◆ Verifique se o bocal de entrada de ar está bem apertado, e se o acoplamento de garra não está danificado.
- ◆ Substitua imediatamente quaisquer peças danificadas.
- ◆ Substitua atempadamente os componentes danificados e gastos.
- ◆ Certifique-se de que todo o equipamento anexo e relacionado, como as mangueiras, separadores de água e lubrificadores, recebe a manutenção adequada.

## Manutenção periódica

Porque todas as aplicações são diferentes, a melhor forma de definir a frequência e extensão da manutenção é com base em desempenhos passados. Manter registos de manutenção detalhados referentes a desempenhos passados, ajuda a definir os futuros intervalos de manutenção preventiva.

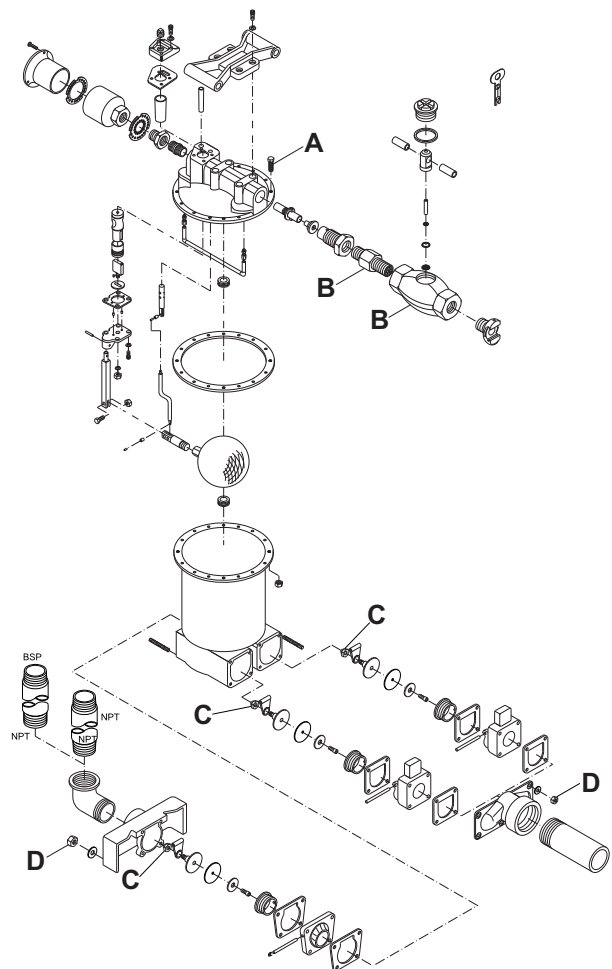
Manutenção periódica				
		Intervalo de tempo, horas da bomba		
Ponto de verificação	Problemas a verificar	A cada 8 <sup>a</sup>	A cada 40 <sup>a</sup>	A cada 800 <sup>a*</sup>
Mangueiras e ligações	Fugas, danos	X		
Unições roscadas	Estanquicidade		X	
Bomba, completa	-			X
Lubrificador	Nível de óleo, funcionamento	X		
Válvula do ejector	Encher com 8 gotas de óleo	X		
Válvula de controlo	Lubrificada com massa consistente			X

\*Se o líquido bombeado for muito abrasivo, então o intervalo de tempo deverá ser reduzido para 400 horas.

A válvula de controlo tem obrigatoriamente que ser lubrificada com massa consistente do grau adequado, contendo grafite.

Em caso de avaria ou de agravamento do desempenho da bomba, encontre a causa e corrija o problema. Em circunstâncias ideais, as reparações devem ser feitas numa oficina autorizada.

## Binários de aperto



- A. Parafuso de tampa, 11,0-14,8 lbf/ft (15-20) Nm
- B. Bocal e Corpo para o lubrificador, 22,1-29,5 lbf/ft (30-40) Nm
- C. Porca da válvula de retenção, 11,0-12,5 lbf/ft (15-17) Nm
- D. Porca, 22,9-25,1 lbf/ft (31-34) Nm

## Armazenamento

### Preparar a bomba para armazenamento

---

- > Depois da utilização, é importante limpar o interior da bomba, enxaguando-a com um líquido limpo e neutro. Isto é especialmente importante se a bomba tiver sido utilizada para bombear líquidos ácidos ou salinos, ou outros líquidos intensamente poluídos ou agressivos.
- > Despeje aproximadamente 1 dl de óleo anti-corrosão directamente dentro da entrada de ar da bomba. Ligue a bomba à linha de ar comprimido, e deixe-a trabalhar durante alguns segundos
- > Depois de lubrificar com óleo anti-corrosão, a entrada de ar tem obrigatoriamente que ser tapada com um bujão.
- > Quando uma bomba que tenha estado armazenada for posta novamente em utilização, despeje uma pequena quantidade de óleo directamente dentro da entrada de ar, antes de dar arranque à bomba.

## Abate

Uma máquina abatida deve ser tratada e eliminada de maneira a que maior parte possível do seu material possa ser reciclada, e que qualquer influência negativa sobre o meio-ambiente seja mantida ao nível mais baixo possível, e em conformidade com as restrições locais.

## Dados técnicos

### Dados da máquina

Tipo	Peso lb (kg)	Altura in. (mm)	Largura in. (mm)	Entrada de descarga in. (mm)	Saída de descarga in. (mm)	Entrada de ar in. (mm)	Saída de ar in. (mm)	Consumo de ar (6 bar) cfm (l/s)
CP 0077	152 (69)	23½ (600)	11 (279)	3, BSP (75)	2½, NPT (62,5)	¾, NPT (20)	1, NPT (25)	85 (40)

### Declaração de ruído

Nível de ruído garantido **L<sub>w</sub>** de acordo com a EN ISO 3744 e em conformidade com a directiva 2000/14/CE.

Nível de pressão sonora **L<sub>p</sub>** de acordo com a EN ISO 11203.

Estes valores declarados foram obtidos por meio de ensaios laboratoriais de acordo com a directiva ou as normas declaradas e são adequados para comparação com os valores declarados de outras ferramentas testadas de acordo com as mesmas directivas ou normas. Estes valores declarados não são adequados para utilização em avaliações de risco, e os valores medidos em locais de trabalho individuais podem ser mais elevados. Os valores reais de exposição e o risco para o utilizador individual são únicos e dependem do modo como o utilizador trabalha, do material em que o equipamento é utilizado, bem como do tempo de exposição e do estado físico do utilizador, e das condições da máquina.

Nós, na Atlas Copco Construction Tools AB, não podemos ser considerados responsáveis pelas consequências de usar os valores declarados em vez de valores que reflectam a exposição real na avaliação de riscos pessoais numa situação de trabalho sobre a qual não temos qualquer controlo.

### Dados de ruído

Tipo	Ruído	
	Valores declarados	
	Pressão sonora	Potência sonora
	EN ISO 11203	2000/14/CE
	<b>L<sub>p</sub></b> r=1m dB(A) rel 20µPa	<b>L<sub>w</sub></b> garantido dB(A) rel 1pW
CP 0077	98	111

# Declaração de Conformidade da CE

## Declaração de Conformidade da CE (Directiva da CE 2006/42/CE)

---

Nós, Atlas Copco Construction Tools AB, declaramos pela presente que as máquinas listadas abaixo se encontram em conformidade com as provisões da Directiva 2006/42/CE da CE (Directiva de Maquinaria) e com as normas harmonizadas mencionadas abaixo.

Bomba de Lamas	Nível de potência sonora garantido [dB(A)]	Nível de potência sonora medido [dB(A)]	Pmax (bar)
CP 0077	111	109	6.2

**Foram aplicadas as seguintes normas harmonizadas:**

- ◆ EN 809:1998

**Foram aplicadas as seguintes outras normas:**

- ◆ 2000/14/EC, Appendix V

**Representante autorizado para Documentação Técnica:**

Per Forsberg  
Atlas Copco Construction Tools AB  
Dragonvägen 2  
Kalmar

**Vice-presidente Design e Desenvolvimento:**

Erik Sigfridsson

**Fabricante:**

Atlas Copco Construction Tools AB  
Box 703  
391 27 Kalmar  
Sweden

**Local e data:**

Kalmar, 2012-06-30



## ITALIANO

**Indice**

<b>Introduzione</b> .....	71
<b>Informazioni sulle istruzioni per la sicurezza e per l'uso</b> .....	71
<b>Norme di sicurezza</b> .....	72
Terminologia di sicurezza .....	72
Precauzioni e qualifiche personali .....	72
Installazione, precauzioni .....	72
Funzionamento, precauzioni .....	73
Manutenzione, precauzioni .....	74
Conservazione, precauzioni .....	74
<b>Avvertenze</b> .....	75
Modello e funzioni .....	75
Parti principali .....	75
Etichette .....	75
<b>Installazione</b> .....	76
Preparazione .....	76
Installazione fissa .....	76
Tubi e collegamenti .....	76
Misure antigelo .....	76
Lubrificazione .....	77
<b>Funzionamento</b> .....	77
Preparativi prima dell'accensione .....	77
Avviamento e arresto .....	77
Condizioni di esercizio .....	78
<b>Manutenzione</b> .....	78
Giornaliera .....	78
Manutenzione periodica .....	78
Coppie di serraggio .....	79
<b>Immagazzinamento</b> .....	79
Preparazione della pompa per lo stoccaggio .....	79
<b>Smaltimento</b> .....	79
<b>Dati tecnici</b> .....	80
Dati della macchina .....	80
Dichiarazione in materia di rumore .....	80
Dati sul livello di rumorosità .....	80
<b>Dichiarazione di conformità CE</b> .....	81
Dichiarazione di conformità CE (Direttiva CE 2006/42/CE) .....	81

## Introduzione

Grazie per aver scelto i prodotti Chicago Pneumatic. Per oltre un secolo, il marchio Chicago Pneumatic ha significato prestazioni e innovazione nel settore degli strumenti pneumatici.

Oggi il marchio è diffuso in tutto il mondo e offre una vasta gamma di utensili pneumatici e idraulici, quali demolitori, perforatrici, martelli scalpellatori, escavatori per argilla, picconatori e dissodatori, scalpellatori, pompe e molto altro ancora.

Il marchio Chicago Pneumatic è associato a prodotti potenti e affidabili, di facile manutenzione, che danno valore al denaro del cliente.

Per ulteriori informazioni si prega di visitare il sito [www.cp.com](http://www.cp.com)

Atlas Copco Construction Tools AB  
Box 703  
391 27 Kalmar  
Sweden

## Informazioni sulle istruzioni per la sicurezza e per l'uso

Scopo di queste istruzioni è fornire le conoscenze per un uso sicuro ed efficiente della pompa. Tali istruzioni offriranno inoltre consigli e indicazioni su come eseguire la normale manutenzione della pompa.

Quando ci si accinge a utilizzare la pompa per la prima volta, leggere queste istruzioni attentamente e accertarsi di averle comprese perfettamente.

## Norme di sicurezza

Per ridurre il rischio di lesioni gravi o morte, per se stessi o altre persone, leggere e comprendere le istruzioni sulla sicurezza e l'uso prima di installare, utilizzare, riparare la macchina, eseguirne la manutenzione o modificare gli accessori della macchina.

Affiggere queste istruzioni per la sicurezza e l'uso nelle sedi di lavoro, fornirne copia agli addetti e assicurarsi che tutti le leggano prima di procedere all'uso o alla manutenzione della macchina.

Inoltre, l'operatore o il proprio datore di lavoro dovrebbero valutare i rischi specifici che potrebbero essere presenti come conseguenza di ciascun utilizzo della macchina.

## Terminologia di sicurezza

Le parole Pericolo, Attenzione e Prudenza hanno i seguenti significati:

<b>PERICOLO</b>	Indica una situazione di pericolo che, qualora non sia evitata, può provocare gravi lesioni personali o morte.
<b>AVVERTENZA</b>	Indica una situazione di pericolo che, qualora non sia evitata, può provocare gravi lesioni personali o morte.
<b>ATTENZIONE</b>	Indica una situazione di pericolo che, qualora non sia evitata, può provocare lievi lesioni personali o di modesta entità.

## Precauzioni e qualifiche personali

L'uso e la manutenzione della macchina sono riservati esclusivamente a personale addestrato e qualificato. Questo deve essere in grado di gestire fisicamente la massa, il peso e la potenza dell'utensile. Utilizzare sempre le regole del buon senso.

### Dispositivi di protezione personale

Utilizzare sempre dispositivi di protezione approvati. Gli operatori e tutte le altre persone presenti nella zona di lavoro devono indossare i dispositivi di protezione, che comprenderanno almeno:

- > Elmetto protettivo
- > Protezione acustica
- > occhiali di sicurezza resistenti agli urti con protezioni laterali
- > protezione delle vie respiratorie, se necessario

- > guanti protettivi
- > calzature protettive adeguate
- > Camice da lavoro idoneo o abbigliamento simile (non largo) che copra braccia e gambe.

### Droghe, sostanze alcoliche o farmaci

#### ▲ AVVERTENZA Droghe, sostanze alcoliche o farmaci

Droghe, sostanze alcoliche o farmaci possono compromettere il proprio giudizio e la capacità di concentrazione. Scarsa reattività e valutazioni imprecise possono causare gravi incidenti o morte.

- ▶ Non utilizzare mai la macchina qualora si sia estremamente stanchi o sotto l'effetto di droghe, sostanze alcoliche o farmaci.
- ▶ Persone sotto l'effetto di droghe, sostanze alcoliche o farmaci non possono utilizzare la macchina.

## Installazione, precauzioni

### ▲ PERICOLO Colpo di frusta del tubo dell'aria

Un tubo ad aria compressa che si scolleghi può avere dei movimenti sferzanti e causare lesioni personali o la morte. Per ridurre tali rischi:

- ▶ Verificare che il tubo flessibile e i collegamenti per l'aria compressa non siano danneggiati, sostituire se necessario.
- ▶ Verificare che tutti i collegamenti per l'aria compressa siano corretti.
- ▶ Non trasportare mai la macchina pneumatica dal tubo dell'aria.
- ▶ non tentare mai di scollegare un tubo ad aria compressa quando è pressurizzato; Interrompere innanzi tutto l'aria compressa sul compressore e spurgare la macchina attivando il dispositivo di avviamento e arresto.
- ▶ Non utilizzare raccordi a sgancio rapido sull'ingresso dell'utensile. Utilizzare raccordi filettati dei tubi in acciaio temprato (o materiale con una equivalente resistenza all'urto).
- ▶ Ogni volta che si utilizzano innesti girevoli universali (raccordi istantanei) raccomandiamo di montare perni di blocco e di utilizzare cavi di sicurezza contro i colpi di frusta per evitare eventuali problemi di collegamento tubo-utensile e tubo-tubo.
- ▶ Non orientare il tubo flessibile per aria compressa verso se stessi o altri. Per evitare il rischio di lesioni, non utilizzare mai l'aria compressa per eliminare ad es. polvere, sporco ecc. dagli abiti.



### ▲ **AVVERTENZA**    **Colpo di frusta del tubo di scarico**

Un tubo flessibile di scarico che si scollegi può avere dei movimenti sferzanti e il tubo o i getti possono colpire l'operatore causare lesioni personali o la morte. Per ridurre tali rischi:

- ▶ Rimuovere sempre eventuali attorcigliamenti, prima di avviare la pompa. Se il tubo di mandata è attorcigliato, potrebbe sfuggire dalle mani dell'operatore.
- ▶ Accertarsi sempre che i collegamenti del tubo di scarico siano ben collegati.
- ▶ Verificare che il tubo flessibile di scarico e i collegamenti per l'aria compressa non siano danneggiati, sostituire se necessario.
- ▶ Accertarsi sempre che l'estremità di uscita del tubo di scarico sia ben collegata.

### ▲ **AVVERTENZA**    **Pericolo dell'installazione fissa**

La pompa è intesa principalmente per l'uso in applicazioni temporanee (mobili). Se la pompa è utilizzata in installazioni fisse, il collegamento tra la pompa e il tubo può allentarsi, getti di liquido o altre particelle possono colpire l'operatore e causare lesioni personali o la morte.

- ▶ Usare sempre un tubo flessibile nei collegamenti tra pompa e tubazione.
- ▶ Non tenere mai sospesa la pompa dal tubo dell'aria.

## **Funzionamento, precauzioni**

### ▲ **PERICOLO**    **Rischio di esplosione**

Qualora una pompa venga a contatto con sostanze o gas esplosivi vi è il rischio di esplosioni. Durante l'uso di determinati materiali, possono verificarsi scintille e combustioni. Eventuali esplosioni causerebbero lesioni gravi o morte.

- ▶ Non utilizzare la macchina in ambienti esplosivi.

### ▲ **AVVERTENZA**    **Pompa molto calda**

Se si sta pompando liquido caldo, la pompa può diventare molto calda. Il contatto con la pompa molto calda può causare ustioni e lesioni personali.

- ▶ Evitare di toccare la pompa se si sta pompando del liquido caldo.

### ▲ **AVVERTENZA**    **Pericolo di liquido infiammabile**

Se si sta pompando liquido infiammabile, la pompa può esplodere se infiammata. Ciò può provocare lesioni personali o la morte.

- ▶ non pompare mai liquidi infiammabili.

### ▲ **AVVERTENZA**    **Pericolo di arresto di emergenza**

Se si verifica una situazione di emergenza durante il pompaggio, e la pompa non viene arrestata immediatamente, possono verificarsi lesioni personali o morte.

- ▶ Installare una valvola di accensione/spengimento sul flessibile dell'aria il più vicino possibile alla pompa.
- ▶ Azionare la valvola di accensione/spengimento in caso di emergenza.

### ▲ **AVVERTENZA**    **Pericolo collegato al livello del liquido pompato**

Se il livello del liquido pompato supera il livello del silenziatore, il liquido pompato si mescolerà all'aria di scarico con conseguenti lesioni personali o morte.

- ▶ Non posizionare mai la pompa in modo tale che il livello del liquido pompato superi il livello del silenziatore.

### ▲ **AVVERTENZA**    **Movimenti inattesi**

Quando in uso, la pompa può spostarsi inavvertitamente. Dopo un certo periodo di utilizzo gli accessori possono rompersi in seguito all'usura. Il movimento improvviso ed inatteso può causare lesioni. Perdite di equilibrio o scivolamenti, inoltre, possono provocare gravi lesioni personali.

- ▶ Prestare attenzione a non perdere l'equilibrio quando si immerge o si estrae la pompa dal liquido, utilizzare un dispositivo di sollevamento idoneo.
- ▶ Ispezionare sempre l'attrezzatura prima dell'uso. Non utilizzare l'attrezzatura se si sospetta che sia danneggiata.
- ▶ Accertarsi che le pompe e i relativi accessori siano puliti e privi di olio e grasso.
- ▶ Le parti in movimento possono schiacciare e tagliare, non controllare mai i fori e i passaggi con le mani.
- ▶ Non colpire né utilizzare impropriamente l'attrezzatura.
- ▶ Verificare regolarmente che gli accessori non siano usurati e controllarli in caso di rischio di danni o rotture evidenti.
- ▶ Prestare sempre la massima attenzione durante il lavoro.

**▲ AVVERTENZA Proiettili**

Durante il funzionamento, particelle o getti di liquido possono trasformarsi in proiettili e causare lesioni personali colpendo l'operatore o altre persone. Per ridurre tali rischi:

- ▶ Utilizzare dispositivi di protezione individuali e elmetto di sicurezza omologati, ad esempio occhiali di sicurezza resistenti agli urti con protezioni laterali.
- ▶ Assicurarsi che persone non autorizzate non si introducano nella zona di lavoro.
- ▶ Mantenere il luogo di lavoro privo di corpi estranei.
- ▶ I getti di liquido dal tubo di mandata potrebbero contenere solidi che si spostano ad alta velocità. Non dirigere i getti di liquido verso altro personale.

**▲ AVVERTENZA Pericoli di scivolamento, inciampo e caduta**

Esiste un rischio di scivolamento, inciampo e caduta per esempio inciampo sui cavi o su altri oggetti. Scivolamento, inciampo e caduta possono causare lesioni. Per ridurre tali rischi:

- ▶ Accertarsi sempre che non vi siano cavi o altri oggetti che ostacolano il cammino dell'utente o di altri.
- ▶ Operare sempre in posizione stabile, con i piedi allargati parallelamente alle spalle e con il peso del corpo ben bilanciato.

**▲ PERICOLO Pericolo elettrico**

La macchina non è isolata elettricamente. In caso di contatto della macchina con l'elettricità possono derivarne lesioni personali gravi o morte.

- ▶ Non mettere mai in funzione la macchina vicino a cavi elettrici o ad altre fonti di elettricità.
- ▶ Accertarsi che non siano presenti cavi nascosti o altre sorgenti elettriche nella zona di lavoro.

**▲ AVVERTENZA Avviamento accidentale**

L'avviamento accidentale della macchina può provocare gravi lesioni personali.

- ▶ Tenere lontane le mani dal dispositivo di avviamento ed arresto fino a quando l'operatore non è pronto ad avviare la macchina.
- ▶ Imparare come fermare la macchina in caso di emergenza.
- ▶ Arrestare immediatamente la macchina in caso di interruzione di corrente.

**▲ AVVERTENZA Rischio correlato al rumore**

Elevati livelli di rumore possono causare una perdita dell'udito permanente e disabilitante, nonché altri problemi quali acufeni (fischi, ronzii, crepitii nelle orecchie). Per ridurre i rischi ed evitare qualsiasi inutile aumento dei livelli di rumore:

- ▶ La valutazione del rischio e l'implementazione di adeguati controlli sono fondamentali.
- ▶ Utilizzare e sottoporre a manutenzione la macchina come indicato nelle presenti istruzioni.
- ▶ Utilizzare sempre protezioni acustiche.

**Manutenzione, precauzioni****▲ AVVERTENZA Modifica della macchina**

Eventuali modifiche alla macchina possono causare lesioni personali all'operatore e ad altre persone.

- ▶ Non modificare mai la macchina. Le macchine modificate non sono coperte da garanzia o responsabilità sul prodotto.
- ▶ Utilizzare sempre ricambi ed accessori originali.
- ▶ Sostituire immediatamente i pezzi danneggiati.
- ▶ Sostituire tempestivamente i componenti usurati.

**Conservazione, precauzioni**

- ◆ La macchina e gli utensili devono essere conservati in un luogo sicuro e fuori dalla portata dei bambini, chiuso a chiave.

## Avvertenze

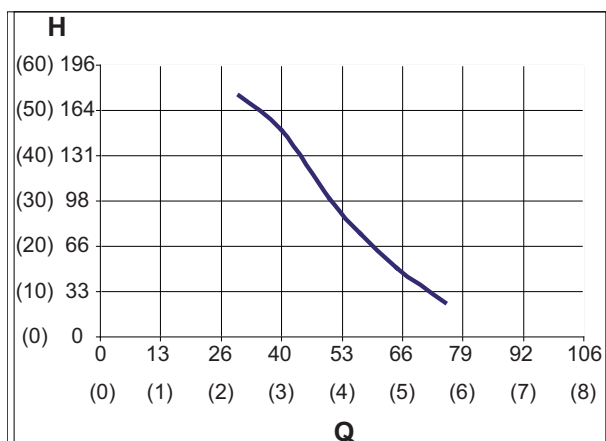
**Per ridurre il rischio di lesioni gravi o morte, per se stessi o altre persone, prima di utilizzare la macchina leggere la sezione delle istruzioni sulla sicurezza che si trova nelle prime pagine di questo manuale.**

## Modello e funzioni

La pompa per fanghi CP 0077 è intesa per rimuovere l'acqua da scavi, buche e boccaporti. Può essere utilizzata anche come pompa industriale in scavi, applicazioni di perforazione a umido contenenti frammenti di roccia, per il pompaggio dell'acqua di mare e per determinati agenti chimici corrosivi. Non sui consiglia di pompare liquidi con una temperatura superiore a 100 °C (212 °F). Non è consentito uso diverso da quello indicato. CP 0077 è adattata per soddisfare diverse esigenze di flusso (Q) e prevalenza (H), (vedi diagramma in basso).

CP 0077 non è totalmente a immersione quindi non è in grado di funzionare totalmente immersa nel liquido, al di sotto del livello del silenziatore. CP 0077 può facilmente gestire acqua contenente solidi fino al 15% della massa totale. Può gestire facilmente particelle solide con dimensioni fino a 1" (25 mm) senza provocare alcun intasamento. La pompa CP 0077 è autoadescante.

La pressione max è 6 bar (87 psi) e il diagramma è valido per una pompa che aspira dal livello della piastra base. L'impiego di un tubo di aspirazione ridurrà la possibile prevalenza.

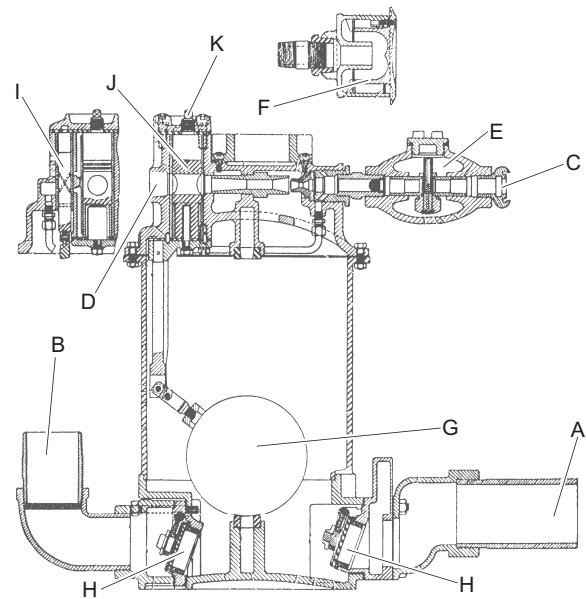


H: Prevalenza (m)

Q: Flusso l/s

**AVVISO** La capacità della pompa cambia e il grafico precedente non sarà accurato se si utilizza un flessibile di aspirazione, se si utilizza una pressione dell'aria inferiore a quella raccomandata o se il liquido pompato ha una viscosità diversa dall'acqua.

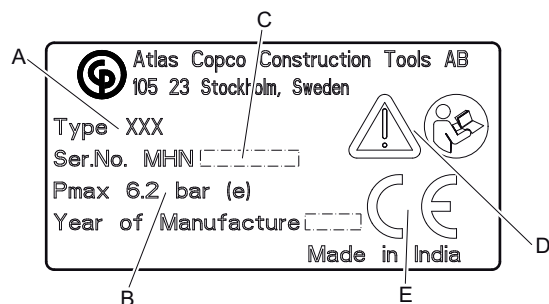
## Parti principali



- A. Ingresso liquido
- B. Scarico
- C. Ingresso aria
- D. Scarico aria
- E. Lubrificatore
- F. Silenziatore
- G. Galleggiante
- H. Valvola di controllo
- I. Valvola di controllo
- J. Valvola dell'eiettore
- K. Tappo della valvola dell'eiettore

## Etichette

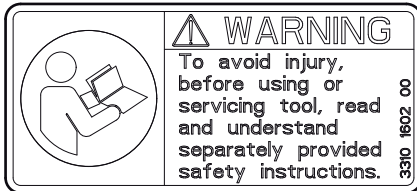
### Targhetta dei dati



- A. Tipo di macchina
- B. Pressione pneumatica massima consentita
- C. Numero di serie

- D. Il simbolo di attenzione insieme al simbolo del libro indicano che occorre leggere le Istruzioni per la sicurezza e per l'uso quando ci si accinge a utilizzare la macchina per la prima volta.
- E. Il simbolo CE indica che la macchina è approvata dalla CE. Per ulteriori informazioni, consultare l'allegata dichiarazione CE. Se il simbolo CE manca, indica che la macchina non è approvata dalla CE.

### Etichetta di sicurezza



Per evitare lesioni, prima di usare o di effettuare la manutenzione su un utensile, leggere e comprendere le istruzioni di sicurezza fornite separatamente.

## Installazione

### Preparazione

Accertarsi sempre che la pompa sia posizionata su una superficie stabile e orizzontale.

A seconda delle condizioni sul luogo di lavoro, è possibile installare la pompa in modi diversi.

Se un flessibile di aspirazione è collegato all'ingresso del liquido:

- ◆ La pompa non deve essere sommersa parzialmente nel liquido pompato.
- ◆ Controllare che l'estremità aperta del flessibile di aspirazione sia completamente sommersa.
- ◆ L'impiego di un flessibile di aspirazione può compromettere la prevalenza.

Se non viene utilizzato un tubo di aspirazione:

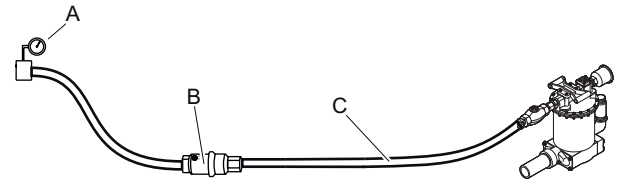
- ◆ Controllare che l'ingresso del liquido della pompa sia completamente sommersa nel liquido pompato.

**AVVISO** Non immergere la pompa al di sotto del livello del silenziatore, nel liquido pompato. Quando si effettua il pompaggio da un serbatoio o da una chiusa evitare che il silenziatore si trovi al di sotto del livello del liquido nel serbatoio o nella chiusa.

## Installazione fissa

La pompa è intesa principalmente per l'uso in applicazioni temporanee (mobili). Se la pompa è utilizzata in installazioni fisse, accertarsi che i collegamenti tra pompa e tubo siano effettuati tramite un flessibile.

## Tubi e collegamenti



- A. Sorgente di aria compressa
- B. Separatore di condensa (opzionale)
- C. Tubo dell'aria compressa lungo max. 3 metri tra il separatore d'acqua e la macchina.

- ◆ Verificare che si stia usando la corretta pressione operativa raccomandata, 6 bar.
- ◆ La pressione massima consentita dell'aria compressa, 90 psig (6,2 bar), non deve mai essere superata.
- ◆ Soffiare via eventuali impurità dal tubo dell'aria compressa prima di collegarlo alla macchina.
- ◆ Scegliere un flessibile dalle dimensioni idonee tra le opzioni disponibili e collegarlo allo scarico dell'acqua sulla pompa. Per una portata massima con le pompe CP, si raccomanda un flessibile da 3 in. (76 mm).
- ◆ Selezionare le dimensioni e la lunghezza corrette per il tubo dell'aria compressa. Per tubi di lunghezza superiore a 30 metri, usare un tubo con diametro minimo interno di  $\frac{3}{4}$  in. (19 mm). Se il tubo ha una lunghezza tra 30 e 100 metri, usare un tubo con diametro interno minimo di 1 in. (25 mm).

## Misure antigelo

La pompa CP 0077 è dotato di silenziatore che viene collegato allo scarico dell'aria.

La formazione di ghiaccio nel silenziatore si può verificare quando la temperatura ambiente è di 0–10°C (32–50 °F) e l'umidità relativa è alta.

Adottare le seguenti misure per evitare il rischio di formazione di ghiaccio:

- ◆ Usare un separatore di condensa.

## Lubrificazione

Per un funzionamento senza problemi, è richiesta la lubrificazione continua della pompa. Prima dell'utilizzo e dopo 8 ore di servizio, riempire il lubrificatore integrato con l'olio raccomandato e contemporaneamente rimuovere il tappo della valvola dell'eiettore con 8 gocce di olio raccomandato, vedi in basso.

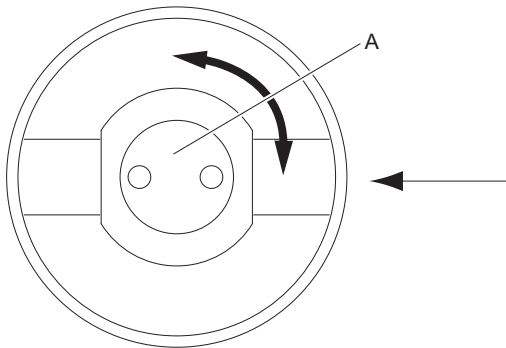
Lubrificante	Intervallo di temperatura °F (°C)	Grado di viscosità
Olio per utensili pneumatici	≤100 (≤38)	100-150 SUS (ISO VG 22-32)
Olio per utensili pneumatici	>100 (>38)	200-300 SUS (ISO VG 46-48)

La valvola di controllo va ingrassata con un grasso contenente grafite, ad ogni periodo di ispezione.

### Regolazione lubrificatore

Controllare la lubrificazione mantenendo un pezzo di carta pulito davanti allo scarico dell'aria mentre si fa funzionare la pompa. Dopo circa cinque corse della pompa sulla carta dovrebbero comparire tracce di olio.

Se è necessaria una regolazione, procedere come segue:



- 1) Arrestare la pompa.
- 2) Rimuovere il cappuccio dal corpo del lubrificatore.
- 3) Se lo spruzzatore d'olio (A) è posizionato come illustrato, il lubrificatore eroga una lubrificazione totale.

Se lo spruzzatore d'olio (A) è ruotato di 90°, il lubrificatore non eroga alcuna lubrificazione.

- 4) Aumentare o ridurre la portata d'olio come necessario.

**AVVISO** Non interrompere completamente il flusso in quanto la mancanza di lubrificazione comporterebbe un rapido guasto della pompa.

## Funzionamento

### ⚠ AVVERTENZA Avviamento accidentale

L'avviamento accidentale della macchina può provocare gravi lesioni personali.

- ▶ Tenere lontane le mani dal dispositivo di avviamento ed arresto fino a quando l'operatore non è pronto ad avviare la macchina.
- ▶ Imparare come fermare la macchina in caso di emergenza.
- ▶ Arrestare immediatamente la macchina in caso di interruzione di corrente.

## Preparativi prima dell'accensione

- > Pulire soffiando il tubo dell'aria compressa prima di collegarlo alla macchina.
- > Se la pompa non è stata utilizzata per un periodo di tempo più lungo, versare circa 5 cl di olio direttamente nell'ingresso dell'aria della pompa. Ciò garantirà una buona lubrificazione sin dal primo momento.
- > Controllare che l'aria compressa non sia contaminata da acqua e da altre impurità. L'aria secca è particolarmente importante quando si utilizza un silenziatore, perché un silenziatore aumenta il rischio di formazione di ghiaccio.

## Avviamento e arresto

### ⚠ AVVERTENZA Colpo di frusta del tubo di scarico

Un tubo flessibile di scarico che si scollegi può avere dei movimenti sferzanti e il tubo o i getti possono colpire l'operatore causando lesioni personali o la morte. Per ridurre tali rischi:

- ▶ Rimuovere sempre eventuali attorcigliamenti, prima di avviare la pompa. Se il tubo di mandata è attorcigliato, potrebbe sfuggire dalle mani dell'operatore.
- ▶ Accertarsi sempre che i collegamenti del tubo di scarico siano ben collegati.
- ▶ Verificare che il tubo flessibile di scarico e i collegamenti per l'aria compressa non siano danneggiati, sostituire se necessario.
- ▶ Accertarsi sempre che l'estremità di uscita del tubo di scarico sia ben collegata.

## Avviamento e arresto

- ◆ Avviare la pompa collegandola all'alimentazione.
- ◆ Arrestare la pompa scollegandola dall'alimentazione.

## Condizioni di esercizio

- > Procedere come segue all'inizio di ogni turno:
  - > Disattivazione aria compressa.
  - > Riempire di olio il lubrificatore.
  - > Controllare che il dosaggio dell'olio funzioni mantenendo un pezzo di carta pulito davanti allo scarico dell'aria. Dopo circa cinque corse della pompa sulla carta dovrebbero comparire tracce di olio.
  - > Regolare il dosaggio dell'olio se necessario, vedere la sezione "Regolazione del lubrificatore".
- > Se il liquido congela all'interno della pompa potrebbe danneggiarla.
- > La pompa può essere fatta funzionare a secco, ma in tal modo aumenterà il consumo d'aria.
- > Se la pompa è stata utilizzata in acqua corrosiva o inquinata, dopo l'uso deve essere messa in funzione in acqua pulita per qualche minuto.
- > Se la pompa funziona ma scarica poco liquido, ispezionare la valvola di ritegno all'immissione e pulirla da eventuali corpi estranei che potrebbero forzare la valvola in posizione aperta.

## Manutenzione

La manutenzione regolare è un requisito di base perché l'uso dell'utensile continui ad essere sicuro ed efficiente. Seguire attentamente le istruzioni per la manutenzione.

- ◆ Utilizzare esclusivamente ricambi originali. Eventuali danni o guasti dovuti dall'uso di ricambi non originali non sono coperti da Garanzia o Responsabilità sul Prodotto.
- ◆ In caso di pulizia delle parti meccaniche con un solvente, rispettare tutte le norme di sicurezza vigenti e accertarsi che vi sia una ventilazione adeguata.
- ◆ Per la manutenzione completa della macchina, rivolgersi al proprio centro di assistenza autorizzato.

## Giornaliera

Prima di accingersi alla manutenzione della pompa, spegnere sempre l'alimentazione di aria. Quindi scollegare il tubo dell'aria dalla macchina.

- ◆ Pulire ed ispezionare la macchina e le sue funzioni ogni giorno prima di iniziare il lavoro.
- ◆ Eseguire un'ispezione generale per verificare che non vi siano perdite o danni.
- ◆ Controllare che il nipplo dell'aria in ingresso sia serrato e che il raccordo a baionetta non sia danneggiato.
- ◆ Sostituire immediatamente i pezzi danneggiati.
- ◆ Sostituire tempestivamente i componenti danneggiati o usurati.
- ◆ Assicurarsi che tutta l'attrezzatura, quali tubazioni, separatori d'acqua e lubrificatori, sia sottoposta a corretta manutenzione.

## Manutenzione periodica

Dal momento che ogni applicazione è diversa da un'altra, la frequenza e la portata della manutenzione va valutata in base alle prestazioni passate. Conservare i dati relativi alla manutenzione di prestazioni passate, aiuta a determinare gli intervalli di manutenzione preventiva futura.

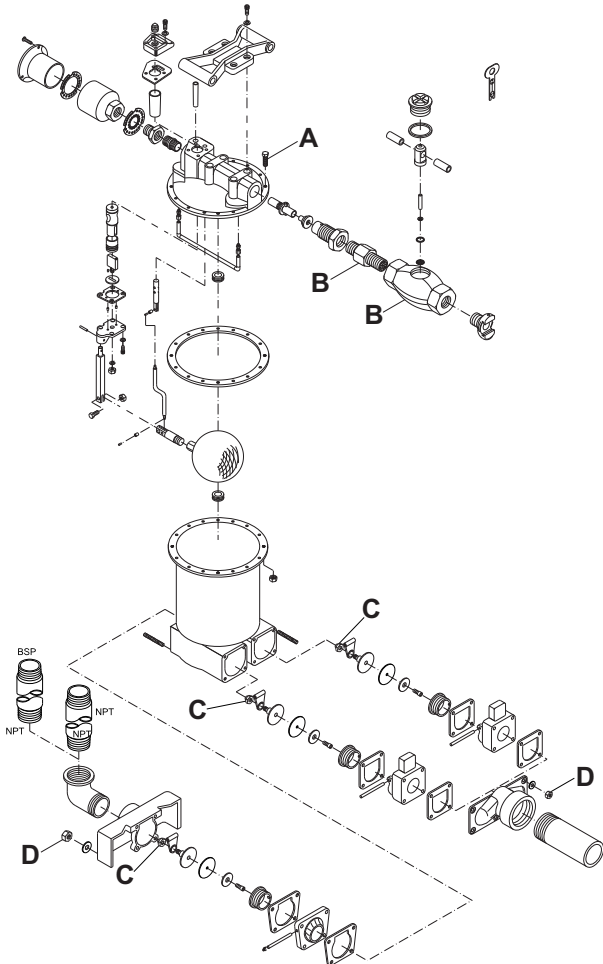
Manutenzione periodica				
Intervallo di tempo, ore di funzionamento pompa				
Punto di controllo	Controllare	Ogni 8	Ogni 40	Ogni 800*
Tubi e collegamenti	Perdita, danno	X		
Raccordi filettati	Serraggio		X	
Pompa, completa	-			X
Lubrificatore	Livello dell'olio, funzionamento	X		
Valvola dell'eiettore	Riempire con 8 gocce d'olio	X		
Valvola di controllo	Lubrificata			X

\*Se il liquido pompato è molto abrasivo, l'intervallo di tempo va ridotto a 400 ore.

La valvola di controllo va ingrassata con un grasso di buona qualità contenente grafite.

In caso di mancato funzionamento o peggioramento delle prestazioni della pompa, determinarne la causa e correggere il guasto. Idealmente, le riparazioni vanno effettuate in un'officina autorizzata.

## Coppie di serraggio



- A. Vite 15-20 Nm.
- B. Raccordo filettato e corpo del lubrificatore 30-40 Nm.
- C. Dado della valvola di ritegno 15-17 Nm.
- D. Dado 31-34 Nm.

## Immagazzinamento

### Preparazione della pompa per lo stoccaggio

- > Dopo l'uso è importante lavare la pompa usando un liquido neutro pulito. Ciò è particolarmente importante se la pompa è stata utilizzata per pompare acidi, liquidi salini o altri liquidi gravemente inquinati o aggressivi.
- > versare circa 1 dl di olio anticorrosione direttamente nell'ingresso dell'aria della pompa. Collegare la pompa alla linea di aria compressa e farla funzionare per qualche secondo.
- > Dopo aver lubrificato con olio anticorrosione, l'ingresso dell'aria deve essere tappato.
- > Quando una pompa che è stata a deposito va rimessa in servizio, versare un po' d'olio direttamente nell'ingresso dell'aria prima di avviare la pompa.

## Smaltimento

Una macchina usurata si deve trattare e smaltire in maniera tale che la maggior parte possibile di materiale possa essere riciclata e che eventuali influenze negative sull'ambiente vengano ridotte al minimo anche nel rispetto delle limitazioni locali.

## Dati tecnici

### Dati della macchina

Tipo	Peso lb (kg)	Altezza in. (mm)	Larghezza in. (mm)	Ingresso di scarico in. (mm)	Scarico in. (mm)	Ingresso aria in. (mm)	Scarico aria in. (mm)	Fabbisogno di aria (6 bar) cfm (l/s)
CP 0077	152 (69)	23½ (600)	11 (279)	3, BSP (75)	2½, NPT (62,5)	¾, NPT (20)	1, NPT (25)	85 (40)

### Dichiarazione in materia di rumore

Livello di potenza acustica garantito **L<sub>w</sub>** conforme EN ISO 3744 ai sensi della direttiva 2000/14/CE.

Livello pressione sonora **L<sub>p</sub>** ai sensi EN ISO 11203.

I valori qui dichiarati sono stati ottenuti mediante test di laboratorio conformi alla direttiva o agli standard indicati e non sono idonei per confronto con i valori dichiarati di altri utensili testati sulla base della stessa direttiva o standard. Tali valori dichiarati non sono adeguati all'uso nelle valutazioni dei rischi e i valori misurati nei singoli luoghi di lavoro possono essere maggiori. I valori di esposizione e i rischi effettivi per ciascun singolo operatore sono unici e dipendono dalle modalità di lavoro dell'operatore, dal materiale con il quale si utilizza la macchina, oltre che dal tempo di esposizione, dalle condizioni fisiche dell'operatore e dalle condizioni della macchina.

Atlas Copco Construction Tools AB non può essere ritenuta responsabile delle conseguenze dell'utilizzo dei valori dichiarati - invece dei valori che riflettono l'esposizione effettiva - nella singola valutazione dei rischi di uno specifico posto di lavoro, sul quale Atlas Copco Construction Tools AB non ha controllo.

### Dati sul livello di rumorosità

Rumore		
Valori dichiarati		
	Pressione sonora EN ISO 11203	Potenza suono 2000/14/CE
Tipo	<b>L<sub>p</sub></b> r=1m dB(A) rel 20µPa	<b>L<sub>w</sub></b> garantiti dB(A) rel 1pW
CP 0077	98	111



# Dichiarazione di conformità CE

## Dichiarazione di conformità CE (Direttiva CE 2006/42/CE)

Atlas Copco Construction Tools AB, con il presente documento dichiara che i macchinari elencati di seguito sono conformi ai requisiti specificati dalle Direttive CE 2006/42/CE (Direttiva macchine) e agli standard armonizzati specificati di seguito.

Pompa per acque luride	Livello di potenza sonora garantito [dB(A)]	Livello di potenza sonora misurato [dB(A)]	Pmax (bar)
CP 0077	111	109	6.2

### Sono stati applicati i seguenti standard armonizzati:

- ◆ EN 809:1998

### Sono stati applicati i seguenti altri standard:

- ◆ 2000/14/EC, Appendix V

### Rappresentante autorizzato Documentazione Tecnica:

Per Forsberg  
Atlas Copco Construction Tools AB  
Dragonvägen 2  
Kalmar

### Vice Presidente Design e Sviluppo:

Erik Sigfridsson

### Produttore:

Atlas Copco Construction Tools AB  
Box 703  
391 27 Kalmar  
Sweden

### Luogo e data:

Kalmar, 2012-06-30

## POLSKI

**SPIS TREŚCI**

<b>Wprowadzenie</b> .....	83
<b>Uwaga na temat instrukcji bezpieczeństwa i obsługi</b> .....	83
<b>Wskazówki dotyczące bezpieczeństwa</b> .....	84
Ostrzeżenia użyte w tekście.....	84
Środki ostrożności i kwalifikacje personelu.....	84
Uruchamianie, środki ostrożności.....	84
Obsługa, środki ostrożności.....	85
Konserwacja, środki ostrożności.....	87
Przechowywanie, środki ostrożności.....	87
<b>Budowa</b> .....	88
Konstrukcja i działanie.....	88
Budowa młota.....	88
Znaki i naklejki.....	89
<b>Uruchomienie</b> .....	89
Przygotowanie.....	89
Instalacja stała.....	89
Węże i złącza.....	89
Metody zapobiegania zamarzaniu.....	90
Smarowanie.....	90
<b>Obsługa</b> .....	90
Przygotowania przed uruchomieniem.....	91
Uruchamianie i wyłączenie.....	91
Obsługa.....	91
<b>Konserwacja</b> .....	91
Codziennie.....	91
Okresowa konserwacja.....	92
Momenty dokręcania.....	92
<b>Przechowywanie</b> .....	93
Przygotowanie pompy do przechowywania.....	93
<b>Utylizacja</b> .....	93
<b>Parametry techniczne</b> .....	94
Parametry techniczne urządzenia.....	94
Deklaracja emisji hałasu .....	94
Dane dotyczące hałasu.....	94
<b>Deklaracja zgodności WE</b> .....	95
Deklaracja zgodności UE (Dyrektywa UE 2006/42/EC).....	95

## Wprowadzenie

Dziękujemy za wybranie produktów firmy Chicago Pneumatic. Od ponad wieku znak firmowy Chicago Pneumatic jest synonimem osiągnięć i innowacji w przemyśle narzędzi pneumatycznych.

Dzisiaj znak firmowy Chicago Pneumatic znaleźć można na całym świecie na szerokim asortymencie narzędzi hydraulicznych i pneumatycznych, takich jak młoty pneumatyczne, wiertła do kamienia, dłuta pneumatyczne, koparki do gliny, kilofy i ręczne młoty pneumatyczne, bruzdownice, pompy i wiele innych.

Firma Chicago Pneumatic kojarzona jest z wydajnymi, niezawodnymi i łatwymi w obsłudze i konserwacji produktami, będącymi zawsze opłacalną inwestycją.

Więcej informacji na stronie [www.cp.com](http://www.cp.com)

Atlas Copco Construction Tools AB  
Box 703  
391 27 Kalmar  
Sweden

## Uwaga na temat instrukcji bezpieczeństwa i obsługi

Zadaniem tych instrukcji jest przekazanie Państwu wiedzy o tym, w jaki sposób efektywnie i bezpiecznie używać z tej pompy. Zawarliśmy w nich także porady i wskazówki dotyczące przeprowadzania regularnej konserwacji pompy.

Przed pierwszym użyciem pompy musisz te instrukcje uważnie przeczytać i zrozumieć.

## Wskazówki dotyczące bezpieczeństwa

Aby zredukować ryzyko odniesienia poważnych obrażeń lub poniesienia śmierci przez Ciebie lub inne osoby, przed przystąpieniem do instalacji, obsługi, naprawy, konserwacji lub wymiany akcesoriów w maszynie, przeczytaj dokładnie i z pełnym zrozumieniem Instrukcję bezpieczeństwa i obsługi.

Wywieś instrukcje bezpieczeństwa i obsługi w miejscach pracy, rozdaj ich kopie pracownikom i dopilnuj, aby każdy z nich je przeczytał przed rozpoczęciem obsługi lub serwisowania maszyny.

Dodatkowo, operator lub pracodawca operatora powinien dokonać oceny specyficznych zagrożeń mogących występować przy poszczególnych zastosowaniach maszyny.

## Ostrzeżenia użyte w tekście

Ostrzeżenia użyte w tekście: Niebezpieczeństwo, Ostrzeżenie i Uwaga mają następujące znaczenia:

<b>NIEBEZPIECZEŃSTWO</b>	Wskazuje na niebezpieczną sytuację, której należy unikać, gdyż w przeciwnym razie stanie się ona przyczyną śmierci lub poważnych obrażeń.
<b>OSTRZEŻENIE</b>	Wskazuje na niebezpieczną sytuację, której należy unikać, gdyż w przeciwnym razie może stać się przyczyną śmierci lub poważnych obrażeń.
<b>PRZESTROGA</b>	Wskazuje na niebezpieczną sytuację, której należy unikać, gdyż w przeciwnym razie może stać się przyczyną lżejszych lub średnich obrażeń.

## Środki ostrożności i kwalifikacje personelu

Obsługę i konserwację urządzenia wolno powierzać tylko osobom posiadającym odpowiednie kwalifikacje i przeszkolenie. Muszą one być fizycznie w stanie dać sobie radę z wielkością, masą i mocą urządzenia. Kieruj się zawsze zdrowym rozsądkiem popartym prawidłową oceną sytuacji.

## Środki ochrony osobistej

Zawsze używaj odpowiednich środków ochrony osobistej. Operatorzy oraz inne osoby przebywające w obszarze roboczym muszą nosić środki ochronny osobistej, które obejmują co najmniej:

- > Hełm ochronny
- > Ochronniki słuchu
- > Przeciwodpryskowe okulary ochronne z zabezpieczeniem bocznym
- > Środki ochrony dróg oddechowych w stosownych przypadkach
- > Rękawice ochronne
- > Odpowiednie obuwie ochronne
- > Odpowiedni kombinezon roboczy lub podobną odzież (nie może być luźna) okrywającą ramiona i nogi.

## Środki odurzające, alkohol, leki

### ▲ OSTRZEŻENIE Środki odurzające, alkohol, leki

Środki odurzające, alkohol i leki mogą mieć wpływ na zdolność oceny sytuacji i koncentrację. Spowolniona reakcja i niewłaściwa ocena sytuacji mogą prowadzić do poważnych obrażeń, a nawet śmierci.

- ▶ Nie używaj nigdy urządzenia będąc w stanie zmęczenia lub pod wpływem środków odurzających, alkoholu lub leków.
- ▶ Nikt będący pod wpływem środków odurzających, alkoholu lub leków nie ma prawa obsługiwać urządzenia.

## Uruchamianie, środki ostrożności

### ▲ NIEBEZPIECZEŃSTWO Luźny wąż pneumatyczny pod ciśnieniem

Odłączenie się będącego pod ciśnieniem węża pneumatycznego grozi obrażeniami a nawet śmiercią. Aby zmniejszyć ryzyko przestrzegaj następujących zasad:

- ▶ Sprawdź czy wąż pneumatyczny i jego złącza nie są uszkodzone, a w razie potrzeby wymień.
- ▶ Sprawdź czy wszystkie złącza sprężonego powietrza są prawidłowo podłączone.
- ▶ Nigdy nie noś maszyny pneumatycznej za wąż pneumatyczny.

- ▶ Nigdy nie próbuj odłączać węża pneumatycznego będącego pod ciśnieniem. Najpierw wyłącz dopływ sprężonego powietrza w sprężarce, a następnie spuść ciśnienie z maszyny uruchamiając ją włącznikiem.
- ▶ Nie używaj złączy, które mogą się same rozłączyć. Używaj gwintowanych złączy węży wykonanych z hartowanej stali (lub materiału o podobnej odporności na obciążenia dynamiczne).
- ▶ W przypadku użycia złączy kłowych zalecamy zastosowanie sworzni zabezpieczających i linek bezpieczeństwa, jako zabezpieczenia na wypadek odłączenia się przewodu od narzędzia lub rozłączenia się złączy między przewodami.

### **▲ OSTRZEŻENIE Bicie węża odprowadzającego**

W wypadku poluzowania się wąż odprowadzający może się zacząć gwałtownie i w sposób niekontrolowany poruszać, co w wypadku trafienia przez niego, lub wypływający z niego strumień płynu, operatora, może spowodować obrażenia, a nawet śmierć. Aby zredukować ryzyko przestrzegaj następujących zasad:

- ▶ Przed uruchomieniem pompy dopilnuj zawsze, aby wąż nie był załamany ani zapętlony. Załamanie lub zapętlenie węża odprowadzającego może spowodować wyrwanie go z rąk operatora.
- ▶ Dopilnuj zawsze, aby złącza węża odprowadzającego były dobrze zamocowane.
- ▶ Sprawdź czy wąż odprowadzający i jego złącza nie są uszkodzone, a w razie potrzeby wymień.
- ▶ Dopilnuj zawsze, aby wylot węża odprowadzającego był dobrze zabezpieczony.

### **▲ OSTRZEŻENIE Niebezpieczeństwo związane z instalacją stałą**

Pompa przeznaczona jest w pierwszym rzędzie do użytku przenośnego. W wypadku eksploatacji pompy w instalacji stałej, połączenie między pompą a rurą może się obluźnić, a w konsekwencji tego strumień cieczy i cząstek stałych może trafić operatora i spowodować obrażenia, a nawet śmierć.

- ▶ Na połączenie między pompą a rurą używaj zawsze przewodu giętkiego (węża).
- ▶ Nigdy nie wieszaj pompy na wężu.

## **Obsługa, środki ostrożności**

### **▲ NIEBEZPIECZEŃSTWO Niebezpieczeństwo eksplozji**

W razie kontaktu pompy z materiałami wybuchowymi lub gazami o właściwościach wybuchowych może dojść do eksplozji. Niektóre materiały wchodzące w skład części maszyny mogą powodować powstawanie iskier i doprowadzić do zapalenia. Eksplozja prowadzi do ciężkich obrażeń, a nawet śmierci.

- ▶ Nigdy nie używaj maszyny w miejscach zagrożonych wybuchem.

### **▲ OSTRZEŻENIE Gorąca pompa**

W wypadku pompowania gorącej cieczy pompa może się stać gorąca. Dotknięcie gorącej pompy może spowodować oparzenia i obrażenia.

- ▶ Unikaj dotykania pompy przy pompowaniu gorących cieczy.

### **▲ OSTRZEŻENIE Niebezpieczeństwo związane z cieczami palnymi**

Przy pompowaniu cieczy palnych istnieje ryzyko wybuchu oparów. To z kolei może stać się przyczyną obrażeń, a nawet śmierci.

- ▶ Nigdy nie pompuj cieczy palnych.

### **▲ OSTRZEŻENIE Niebezpieczeństwo związane z zatrzymaniem awaryjnym**

Jeżeli pompa nie zostanie natychmiast zatrzymana w wypadku zaistnienia podczas jej pracy sytuacji awaryjnej, dojść może do obrażeń a nawet śmierci.

- ▶ Zainstaluj zawór otwierający/zamykający dopływ sprężonego powietrza na wężu zasilającym, jak najbliższej pompy.
- ▶ W wypadku zaistnienia sytuacji awaryjnej odetnij dopływ sprężonego powietrza używając zaworu otwierającego/zamykającego.

### **▲ OSTRZEŻENIE Niebezpieczeństwo związane z poziomem pompowanej cieczy**

Jeżeli poziom pompowanej cieczy leżałby powyżej poziomu na którym znajduje się tłumik, pompowana substancja mieszałaby się z wypływającym sprężonym powietrzem co mogłoby spowodować obrażenia, a nawet śmierć.

- ▶ Nigdy nie umieszczaj pompy tak, aby pompowana ciecz sięgała powyżej poziomu na którym znajduje się tłumik.

**▲ OSTRZEŻENIE    Niespodziewane ruchy**

Pompa może się w czasie pracy nieoczekiwanie przemieścić. Akcesoria mogą po pewnym okresie użytkowania ulec złamaniu na skutek zmęczenia materiału. Nagłe i nieoczekiwane ruchy mogą się stać przyczyną obrażeń. Przyczyną obrażeń może być również utrata równowagi lub poślizgnięcie się.

- ▶ Przy zanurzaniu pompy i wyciąganiu jej z cieczy zwracaj zawsze uwagę aby nie stracić równowagi, używaj odpowiedniego urządzenia do podnoszenia.
- ▶ Przed każdym użyciem sprzętu sprawdź jego stan techniczny. Nigdy nie używaj sprzętu wobec którego istnieje podejrzenie, że może być uszkodzony.
- ▶ Pompa i jej akcesoria muszą być zawsze czyste oraz wolne od smaru i oleju.
- ▶ Części ruchome mogą miażdżyć i ciąć, więc nigdy nie sprawdzaj otworów ani kanałów rękami ani palcami.
- ▶ Nie uderzaj sprzętu, ani nie używaj go niezgodnie z jego przeznaczeniem.
- ▶ Regularnie kontroluj stopień zużycia akcesoriów i sprawdzaj, czy nie mają one oznak uszkodzenia lub widocznych pęknięć.
- ▶ Uważaj i patrz na to co robisz.

**▲ OSTRZEŻENIE    Odpryski**

Podczas pracy odłamki i strumień płynu mogą być wyrzucane z dużą siłą i spowodować obrażenia w wypadku trafienia operatora lub osób postronnych. Aby zmniejszyć ryzyko przestrzegaj następujących zasad:

- ▶ Używaj posiadających odpowiednie atesty środków ochrony osobistej, między innymi hełmu ochronnego i przeciwodpryskowych okularów ochronnych z osłoną boczną.
- ▶ Dopilnuj, aby w strefie roboczej nie znajdowały się żadne osoby nieupoważnione.
- ▶ Utrzymuj miejsce pracy wolne od wszelkich obcych przedmiotów.
- ▶ Strumień cieczy tryskający z przewodu odprowadzającego może zawierać poruszające się z dużą prędkością kawałki stałej materii. Nie kieruj strumienia cieczy na inny personel.

**▲ OSTRZEŻENIE    Ryzyka związane z poślizgnięciem się, potknięciem lub przewróceniem**

Istnieje ryzyko poślizgnięcia się, potknięcia lub przewrócenia, np. potknięcia się o węże lub inne przedmioty. Poślizgnięcie się, potknięcie lub przewrócenie może spowodować obrażenia. Aby zmniejszyć ryzyko przestrzegaj następujących zasad:

- ▶ Dopilnuj zawsze, aby żaden wąż ani inny przedmiot nie zawadzał ani tobie ani nikomu innemu.
- ▶ Utrzymuj zawsze stabilną pozycję, rozstawiając stopy na szerokość ramion i zachowując równowagę ciała.

**▲ NIEBEZPIECZEŃSTWO    Zagrożenie porażeniem prądem elektrycznym**

Maszyna nie jest izolowana elektrycznie. Kontakt maszyny z instalacjami elektrycznymi może spowodować poważne obrażenia ciała lub śmierć.

- ▶ W żadnym wypadku nie eksploatować urządzenia w pobliżu przewodów elektrycznych lub źródeł energii elektrycznej.
- ▶ Sprawdź, czy w miejscu pracy nie ma ukrytych przewodów lub innych źródeł prądu.

**▲ OSTRZEŻENIE    Mimowolne uruchomienie**

Mimowolne uruchomienie maszyny może się stać przyczyną obrażeń.

- ▶ Trzymaj ręce z dala od włącznika dopóki nie będziesz gotowy do rozpoczęcia pracy.
- ▶ Zapoznaj się ze sposobem awaryjnego wyłączenia maszyny.
- ▶ Zatrzymuj natychmiast maszynę w wszystkich przypadkach przerwy w zasilaniu.

**▲ OSTRZEŻENIE    Niebezpieczeństwa związane z hałasem**

Wysoki poziom hałasu może spowodować nieodwracalną upośledzającą degradację lub nawet utratę słuchu, a także inne problemy, jak na przykład szum uszny (dzwonienie, brzęczenie, świstanie lub buczenie w uszach). Aby zmniejszyć ryzyka i zapobiec niepotrzebnemu wzrostowi poziomu hałasu:

- ▶ Bardzo ważne jest przeprowadzenie oceny ryzyk związanych z tymi niebezpieczeństwami i wdrożenie odpowiednich procedur kontrolnych.
- ▶ Przy obsłudze i konserwacji maszyny postępuj zgodnie z tymi instrukcjami.
- ▶ Zawsze używaj ochronników słuchu.

## Konserwacja, środki ostrożności

---

### **▲ OSTRZEŻENIE** Modyfikacje maszyny

Jakiegolwiek modyfikacje maszyny grożą obrażeniami operatora lub osób postronnych.

- ▶ Nigdy nie wprowadzaj w maszynie żadnych modyfikacji. Zmodyfikowane maszyny nie są objęte gwarancją ani odpowiedzialnością producenta za produkt.
- ▶ Używaj zawsze oryginalnych części zamiennych i akcesoriów.
- ▶ Uszkodzone części wymieniaj bezzwłocznie na nowe.
- ▶ Części zużyte wymieniaj zanim ich stan ulegnie nadmiernemu pogorszeniu.

## Przechowywanie, środki ostrożności

---

- ◆ Przechowuj urządzenie i narzędzia w bezpiecznym miejscu, niedostępnym dla dzieci i zamkniętym na klucz.

## Budowa

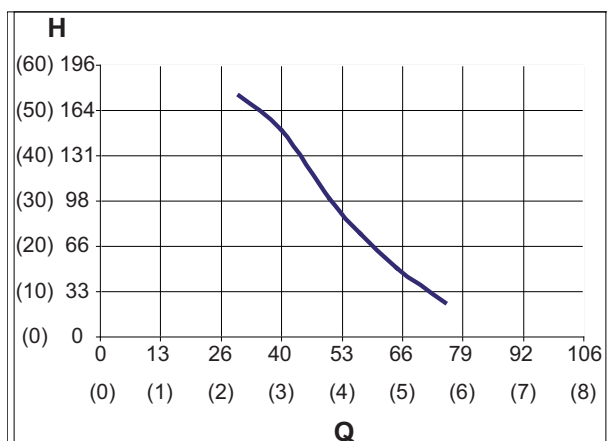
**Aby ograniczyć ryzyko odniesienia przez operatora lub osoby trzecie poważnych obrażeń ciała, a nawet poniesienia śmierci, przed uruchomieniem urządzenia zapoznaj się z instrukcjami bezpieczeństwa zamieszczonymi na poprzednich stronach niniejszej instrukcji.**

## Konstrukcja i działanie

Pompa szlamowa CP 0077 przeznaczona jest do usuwania wody z rowów, wykopów i otworów włączonych. Może ona być też używana w roli pompy przemysłowej przy wykopach, wierceniu na mokro przy którym występują fragmenty skał, pompowaniu wody morskiej, oraz do pompowania niektórych chemikaliów o właściwościach korozyjnych. Nie zaleca się pompowania żadnych cieczy o temperaturze przekraczającej 100°C (212°F). Żadne inne zastosowania nie są dozwolone. CP 0077 dostosowana jest do różnych wymogów dotyczących przepływu (Q) i różnicy wysokości (H), patrz wykres poniżej.

Pompa CP 0077 nie jest całkiem zatapialna, co oznacza, że nie może być zanurzana w pompowanej cieczy głębiej niż do poziomu tłumika. CP 0077 daje sobie bez problemów radę z wodą zawierającą do 15% masowych materii stałej. Daje sobie ona też swobodnie radę z cząstkami stałymi o wielkości do 25 mm (1") bez ryzyka zatkania/zablokowania. Pompa CP 0077 jest samoodpowietrzająca.

Wykres odnosi się do ciśnienia 6 bar (87 psi) przy pompowaniu z poziomu płyty bazowej. Użycie węża ssawnego zmniejszy dopuszczalną różnicę poziomów.

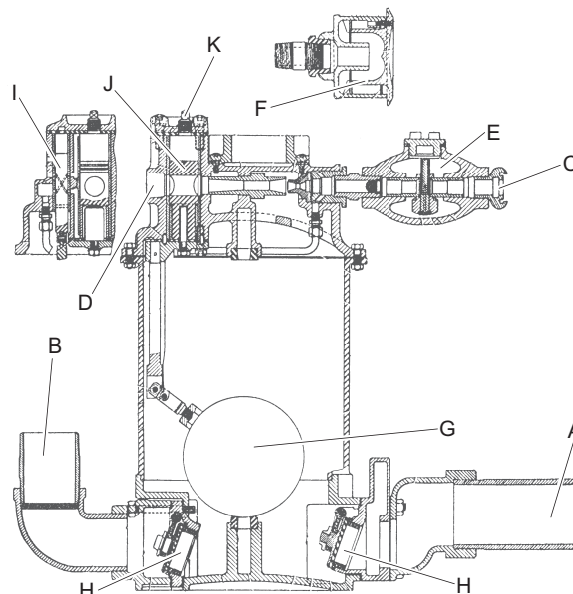


H: Różnica poziomów, feet (m)

Q: Przepływ na wirniku, gal/min (l/s)

**UWAGA** W wypadku użycia węża ssawnego, niższego od zalecanego ciśnienia powietrza, lub pompowania cieczy o innej niż w przypadku wody lepkości, wydatek pompy ulegnie zmianie i powyższy wykres nie będzie odzwierciedlał stanu rzeczywistego.

## Budowa młota

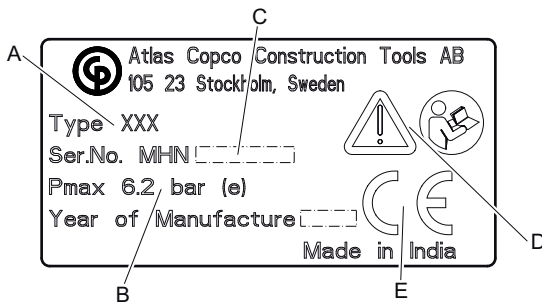


- A. Wlot cieczy
- B. Wylot przepływu
- C. Wlot powietrza
- D. Wylot powietrza
- E. Smarownica olejowa
- F. Tłumik
- G. Pływak
- H. Zawór zwrotny
- I. Zawór sterujący
- J. Zawór strumienia wylotowego
- K. Korek zaworu strumienia wylotowego



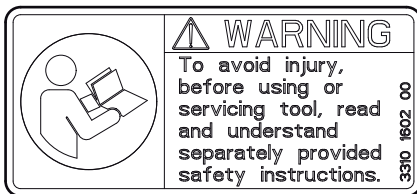
## Znaki i naklejki

### Tabliczka znamionowa



- A. Typ maszyny
- B. Maksymalne dopuszczalne ciśnienie sprężonego powietrza
- C. Numer seryjny
- D. Symbol ostrzeżenia połączony z symbolem książki oznacza, że przed pierwszym użyciem maszyny użytkownik musi przeczytać instrukcje bezpieczeństwa i obsługi.
- E. Symbol CE oznacza, że maszyna posiada świadectwo zgodności WE. Więcej informacji zawiera deklaracja WE dołączona do maszyny. Brak symbolu WE oznacza, że maszyna nie posiada świadectwa zgodności WE.

### Nalepka bezpieczeństwa



Aby uniknąć obrażeń, przed użyciem narzędzia lub jego konserwacją przeczytaj ze zrozumieniem udostępnione osobno instrukcje bezpieczeństwa.

## Uruchomienie

### Przygotowanie

Upewnij się zawsze, że pompa spoczywa stabilnie na powierzchni podłoża.

Pompa może być instalowana w różny sposób, w zależności od panujących w miejscu pracy warunków.

W wypadku podłączenia węża ssawnego do wlotu cieczy:

- ♦ Pompa nie wymaga częściowego zanurzenia w pompowanej cieczy.
- ♦ Dopilnuj, aby otwarty koniec węża ssawnego był całkowicie zanurzony.
- ♦ Użycie węża ssawnego może wpłynąć negatywnie na wydajność pompy przy różnych różnicach poziomów.

Jeżeli pompa pracuje bez węża ssawnego:

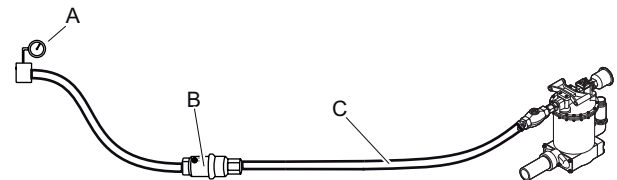
- ♦ Dopilnuj aby wlot cieczy pompy był całkowicie zanurzony w pompowanej cieczy.

**UWAGA** Nigdy nie zanurzaj pompy w pompowanej cieczy głębiej, niż do poziomu tłumika. Przy pompowaniu ze zbiornika lub zaporze nie pozwalaj nigdy, aby poziom tłumika znalazł się poniżej poziomu cieczy w zbiorniku lub zaporze.

## Instalacja stała

Pompa przeznaczona jest w pierwszym rzędzie do użytku przenośnego. W wypadku eksploatacji pompy w instalacji stałej, dopilnuj, aby połączenie między pompą a rurą wykonane było z przewodu giętkiego (węża).

## Węże i złącza



- A. Źródło sprężonego powietrza
- B. Separator wody (opcjonalnie)
- C. Maks. dopuszczalna długość węża pneumatycznego między separatorem a maszyną wynosi 10 feet (3 metry).
- ♦ Sprawdź, czy używasz ciśnienia odpowiadającego zalecanemu ciśnieniu robocznemu, które wynosi 87 psig (6 bar).
- ♦ Nie wolno przekraczać maksymalnego dopuszczalnego ciśnienia powietrza, które wynosi 90 psig (6,2 bar).
- ♦ Przed podłączeniem węża pneumatycznego do maszyny wydmuchaj z niego wszystkie zanieczyszczenia.

- ♦ Wybierz wąż o odpowiednim z dostępnych wymiarze i podłącz go do wylotu cieczy pompy. Do korzystania z maksymalnego przepływu pomp CP zaleca się użycie węża 3 in. (76 mm).
- ♦ Dobierz odpowiedni wymiar i długość węża pneumatycznego. Wężę o długości do 100 feet (30 m) powinny mieć średnicę wewnętrzną co najmniej  $\frac{3}{4}$  in. (19 mm). Wężę o długości między 100 do 330 feet (30 a 100 metrów) powinny mieć średnicę wewnętrzną co najmniej 1 in. (25 mm).

## Metody zapobiegania zamarzaniu

Pompa CP 0077 wyposażona jest w tłumik, który jest podłączony do wylotu powietrza.

Przy temperaturze otoczenia 0–10°C (32–50°F) i wysokiej wilgotności względnej powietrza, w tłumiku może się tworzyć lód.

Aby jeszcze bardziej zmniejszyć ryzyko tworzenia się lodu:

- ♦ Używaj separatora wody.

## Smarowanie

Bezproblemowa eksploatacja wymaga zapewnienia pompie ciągłego smarowania. Przed użyciem, oraz po każdym ośmiu godzinach eksploatacji, napełnij wbudowaną smarownicę olejową zalecanym olejem, a jednocześnie wyjmij korek zaworu strumienia wylotowego i wpuść do zaworu osiem kropel zalecanego oleju, patrz niżej.

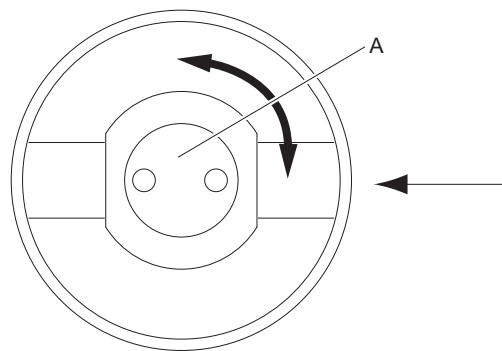
Środek smarny	Zakres temperatur °F (°C)	Klasa lepkości
Olej do narzędzi pneumatycznych	≤100 (≤38)	100-150 SUS (ISO VG 22-32)
Olej do narzędzi pneumatycznych	>100 (>38)	200-300 SUS (ISO VG 46-48)

Zawór sterujący musi być w ramach każdego przeglądu okresowego smarowany smarem zawierającym grafit.

### Regulacja smarownicy olejowej

Sprawdź smarowanie, trzymając kawałek papieru przed wylotem powietrza podczas pracy pompy. Po około pięciu suwach pompy na papierze powinny się pojawić ślady oleju.

W razie potrzeby regulacji, postępuj jak niżej:



- 1) Wyłącz pompę.
- 2) Zdejmij zakrętkę z obudowy smarownicy olejowej.
- 3) Jeśli rozpylacz oleju (A) ustawiony jest jak na powyższej ilustracji, to smarownica daje maksymalne smarowanie.  
Jeśli rozpylacz oleju (A) obrócony jest o 90°, to smarownica nie smaruje w ogóle.
- 4) Zwiększ lub zmniejsz przepływ oleju według potrzeby.

**UWAGA** Nie zamykaj całkiem przepływu oleju, ponieważ brak smarowania spowodowałby szybką awarię pompy.

## Obsługa

### ▲ OSTRZEŻENIE Mimowolne uruchomienie

Mimowolne uruchomienie maszyny może się stać przyczyną obrażeń.

- ▶ Trzymaj ręce z dala od włącznika dopóki nie będziesz gotowy do rozpoczęcia pracy.
- ▶ Zapoznaj się ze sposobem awaryjnego wyłączenia maszyny.
- ▶ Zatrzymuj natychmiast maszynę w wszystkich przypadkach przerwy w zasilaniu.

## Przygotowania przed uruchomieniem

- > Przedmuchaj wąż pneumatyczny do czysta przed podłączeniem go do pompy.
- > Jeżeli pompa nie była przez dłuższy czas używana, to wlej około 1<sup>3</sup>/<sub>4</sub> oz (5 cl) oleju bezpośrednio do wlotu powietrza pompy. Zapewni to dobre smarowanie pompy już od momentu jej uruchomienia.
- > Sprawdź, czy sprężone powietrze jest wolne od wody i innych zanieczyszczeń. Suchość powietrza jest szczególnie ważna kiedy się używa tłumika, ponieważ zwiększa on ryzyko tworzenia się lodu.

## Uruchamianie i wyłączanie

### ▲ OSTRZEŻENIE Bicie węża odprowadzającego

W wypadku poluzowania się wąż odprowadzający może się zacząć gwałtownie i w sposób niekontrolowany poruszać, co w wypadku trafienia przez niego, lub wypływający z niego strumień płynu, operatora, może spowodować obrażenia, a nawet śmierć. Aby zredukować ryzyko przestrzegaj następujących zasad:

- ▶ Przed uruchomieniem pompy dopilnuj zawsze, aby wąż nie był załamany ani zapętlony. Załamanie lub zapętlenie węża odprowadzającego może spowodować wyrwanie go z rąk operatora.
- ▶ Dopilnuj zawsze, aby złącza węża odprowadzającego były dobrze zamocowane.
- ▶ Sprawdź czy wąż odprowadzający i jego złącza nie są uszkodzone, a w razie potrzeby wymień.
- ▶ Dopilnuj zawsze, aby wylot węża odprowadzającego był dobrze zabezpieczony.

### Uruchamianie i wyłączanie

- ◆ Uruchamiaj pompę podłączając ją do źródła zasilania.
- ◆ Wyłączaj pompę odłączając ją od źródła zasilania.

## Obsługa

- > Na początku każdej zmiany należy przeprowadzić następujące czynności:
  - > Odetnij dopływ sprężonego powietrza.
  - > Napełnij smarownicę olejem.
  - > Sprawdź działanie dozowania oleju, trzymając kawałek czystego papieru przy wylotem powietrza. Po około pięciu suwach pompy na papierze powinny się pojawić ślady oleju.
  - > W razie potrzeby podreguluj dozowanie oleju, patrz pod „Regulacja smarownicy olejowej”.
- > Dopuszczając do skrzepnięcia cieczy wewnątrz pompy ryzykuje się jej uszkodzenie.
- > Pompa może pracować „na sucho”, ale zwiększy to zużycie sprężonego powietrza.
- > Pompie która pracowała w wodzie zanieczyszczonej lub o właściwościach korozyjnych, należy po zakończeniu właściwej pracy pozwolić pracować jeszcze przez kilka minut w czystej wodzie.
- > Jeśli pompa mimo że pracuje, odprowadza tylko niewielką ilość cieczy, to skontroluj zawór zwrotny na wlocie i usuń wszelkie obce przedmioty mogące utrzymywać ten zawór w położeniu otwartym.

## Konserwacja

Regularna konserwacja to podstawowy warunek dalszego bezpiecznego i efektywnego korzystania z maszyny. Przestrzegaj dokładnie instrukcji konserwacji.

- ◆ Używaj wyłącznie oryginalnych części zamiennych. Wszelkie uszkodzenia i zakłócenia w działaniu wynikające z użycia nie dopuszczonych części są wyłączone z gwarancji i odpowiedzialności za produkt.
- ◆ Podczas czyszczenia rozpuszczalnikiem części mechanicznych przestrzegaj stosownych przepisów BHP i zadбай o odpowiednią wentylację.
- ◆ W celu przeprowadzenia przeglądu skontaktuj się z autoryzowanym serwisem firmy Atlas Copco.

## Codziennie

Przed przystąpieniem do jakichkolwiek prac konserwacyjnych na pompie zawsze wyłączaj dopływ powietrza. Następnie odłącz wąż pneumatyczny od maszyny.

- ◆ Przed rozpoczęciem pracy oczyść codziennie maszynę i poddaj ją oględzinom, oraz sprawdź jej działanie.
- ◆ Dokonaj ogólnego przeglądu pod kątem ewentualnych wycieków i uszkodzeń.
- ◆ Sprawdź, czy złącze doprowadzania powietrza jest dokręcone, a złącze kłowe nie jest uszkodzone.
- ◆ Uszkodzone części wymieniaj bezzwłocznie na nowe.
- ◆ Uszkodzone i zużyte komponenty wymieniaj zanim ich stan ulegnie nadmiernemu pogorszeniu.
- ◆ Pilnuj, aby cały współpracujący z maszyną osprzęt, taki jak węże pneumatyczne, separatory wody i smarownice, poddawany był odpowiedniej konserwacji.

## Okresowa konserwacja

Ponieważ warunki eksploatacyjne maszyny różnią się w zależności od zastosowania, częstotliwość i zakres czynności konserwacyjnych ustalać jest najlepiej na podstawie doświadczenia. Prowadzenie szczegółowych zapisów dotyczących wcześniejszych czynności konserwacyjnych i funkcjonowania pompy, pomaga w ustaleniu częstotliwości przyszłych czynności konserwacji zapobiegawczej.

### Konserwacja okresowa

#### Odstępy czasowe, godziny pracy pompy

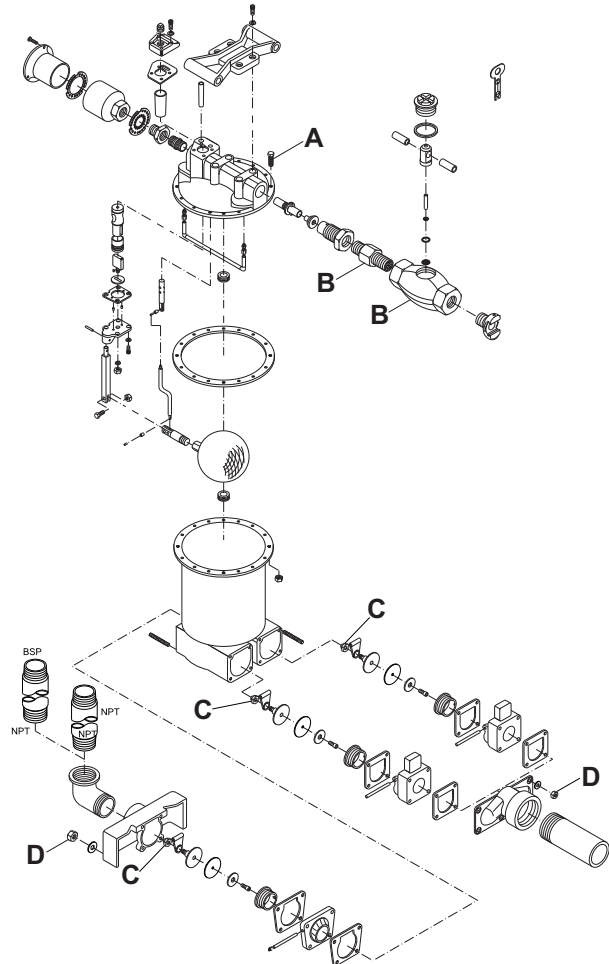
Przedmiot kontroli	Kontrola dotyczy	Co 8	Co 40	Co 800*
Węże i złącza	Wycieki, uszkodzenia	X		
Złączki gwintowane	Dokręcenie		X	
Pompa, cała	-			X
Smarownica olejowa	Poziom oleju, działanie	X		
Zawór strumienia wylotowego	Wpuść 8 kropli oleju	X		
Zawór sterujący	Nasmarowanie			X

\*Jeżeli pompa używana jest do pompowania cieczy o silnych właściwościach ściernych, to odstęp między aktualnymi czynnościami konserwacyjnymi należy skrócić do 400 godzin.

Zawór sterujący należy smarować wysokiej klasy smarem plastycznym zawierającym grafit.

W przypadku awarii pompy, lub spadku jej wydajności, ustal i usuń przyczynę. Naprawy przeprowadzać jest najlepiej w autoryzowanym warsztacie.

## Momenty dokręcania



- A. Śruba zakrętki, 15-20 Nm (11,0-14,8 lbf/ft)
- B. Króciec i korpus smarownicy olejowej 30-40 Nm (22,1-29,5 lbf/ft)
- C. Nakrętka zaworu zwrotnego, 15-17 Nm (11,0-12,5 lbf/ft)
- D. Nakrętka, 31-34 Nm (22,9-25,1 lbf/ft)

## Przechowywanie

### Przygotowanie pompy do przechowywania

---

- > Jest ważne, aby pompa po użyciu przepłukiwana była czystą, neutralną cieczą. Jest to szczególnie ważne kiedy pompa używana była do pompowania kwasów, cieczy zasolonych, oraz cieczy silnie zanieczyszczonych lub chemicznie agresywnych.
- > Wlej około 1 dl oleju antykorozyjnego bezpośrednio do wlotu powietrza pompy. Podłącz pompę do źródła sprężonego powietrza i uruchom ją na kilka sekund.
- > Po przesmarowaniu olejem antykorozyjnym należy wlot powietrza zatkać.
- > Przy ponownym wprowadzaniu do eksploatacji pompy, która była magazynowana, przed jej uruchomieniem wlej nieco oleju bezpośrednio do wlotu powietrza.

## Utylizacja

Zużyta maszynę należy oddać do kasacji postępując z nią przy tym w sposób, który pozwoli na odzyskanie z niej jak największej części surowców wtórnych przy jednoczesnej minimalizacji ujemnego wpływu na środowisko.

## Parametry techniczne

### Parametry techniczne urządzenia

Typ	Masa lb (kg)	Wysokość in. (mm)	Szerokość in. (mm)	Wlot przepływu in. (mm)	Wylot przepływu in. (mm)	Wlot powietrza in. (mm)	Wylot powietrza in. (mm)	Zużycie powietrza (6 barów) cfm (l/s)
CP 0077	152 (69)	23½ (600)	11 (279)	3, BSP (75)	2½, NPT (62,5)	¾, NPT (20)	1, NPT (25)	85 (40)

### Deklaracja emisji hałasu

Gwarantowany poziom mocy akustycznej **L<sub>w</sub>** wg EN ISO 3744 zgodnie z dyrektywą 2000/14/WE.

Poziom ciśnienia akustycznego **L<sub>p</sub>** wg EN ISO 11203.

Niniejsze wartości deklarowane, które zostały uzyskane w testach laboratoryjnych wykonanych według podanych dyrektyw lub norm, są przydatne do porównania z wartościami deklarowanymi dla innych narzędzi testowanych według tych samych dyrektyw lub norm. Te deklarowane wartości nie nadają się do oceny ryzyka, a wartości zmierzone w poszczególnych miejscach pracy mogą być wyższe. Rzeczywiste wartości ekspozycji i ryzyka związanego z narażeniem konkretnego operatora są unikalne i zależą od jego sposobu pracy, materiału do jakiego wykorzystuje maszynę, a także od czasu ekspozycji i stanu fizycznego operatora oraz stanu maszyny.

Firma Atlas Copco Construction Tools AB nie może być pociągana do odpowiedzialności za konsekwencje wynikające z zastosowania zadeklarowanych wartości, zamiast wartości rzeczywistych, w konkretnej ocenie ryzyka na stanowisku pracy, nad którym nie mamy kontroli.

### Dane dotyczące hałasu

Hałas		
Deklarowane wartości		
	EN ISO 11203	2000/14/WE
Typ	<b>L<sub>p</sub></b> r=1m dB(A) rel 20µPa	<b>L<sub>w</sub></b> gwarantowane dB(A) rel 1pW
CP 0077	98	111

# Deklaracja zgodności WE

## Deklaracja zgodności UE (Dyrektywa UE 2006/42/EC)

Niniejszym firma Atlas Copco Construction Tools AB deklaruje zgodność wyszczególnionych poniżej urządzeń z zapisami dyrektywy UE 2006/42/EC (dyrektywa maszynowa) oraz innych standardów zamieszczonych poniżej.

Pompy szlamowe	Gwarantowany poziom mocy akustycznej [dB(A)]	Zmierzony poziom mocy akustycznej [dB(A)]	Pmaks (bar)
CP 0077	111	109	6.2

### Zastosowane zostały następujące normy zharmonizowane:

- ◆ EN 809:1998

### Zastosowano inne poniższe normy:

- ◆ 2000/14/EC, Appendix V

### Autoryzacja dokumentacji technicznej:

Per Forsberg

Atlas Copco Construction Tools AB

Dragonvägen 2

Kalmar

### Wicedyrektor działu konstrukcji i rozwoju:

Erik Sigfridsson

### Producent:

Atlas Copco Construction Tools AB

Box 703

391 27 Kalmar

Sweden

### Miejsce i data:

Kalmar, 2012-06-30











